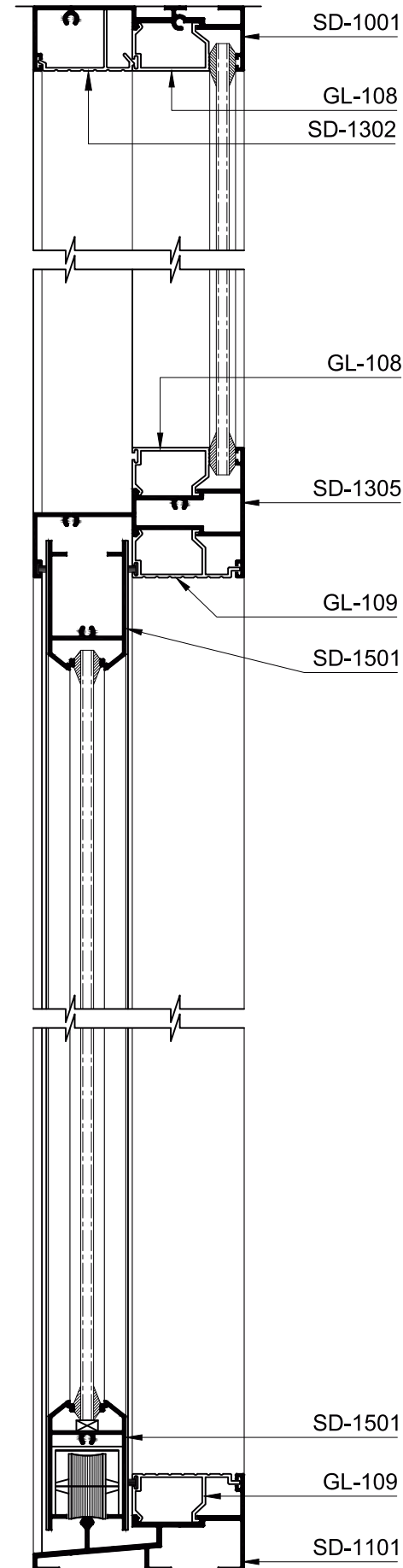
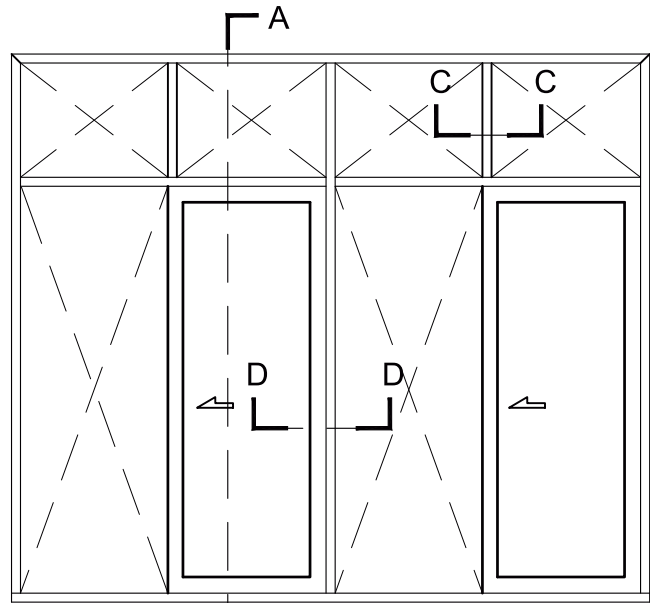


100mm Sliding Door

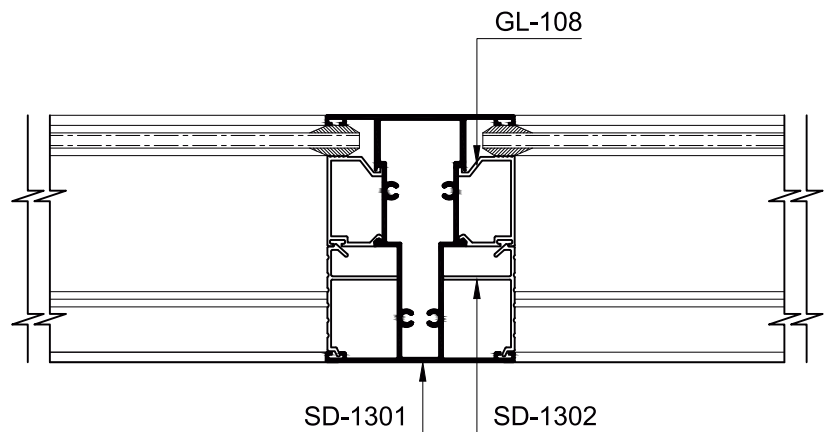
Group 03
Page 02



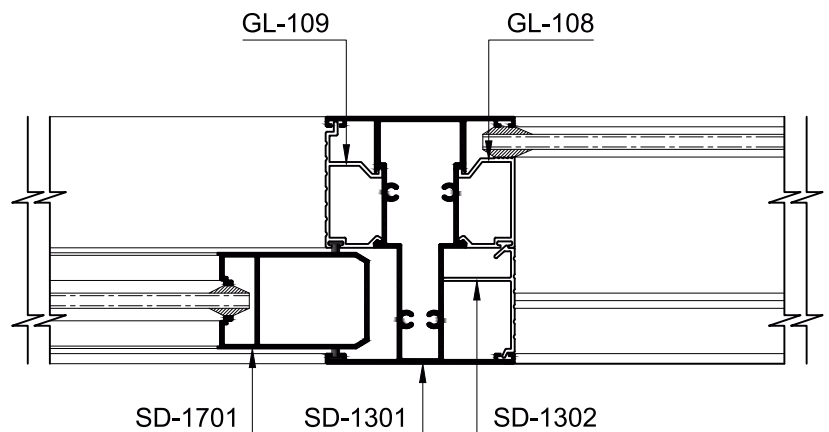
SECTION :- A - A



ELEVATION



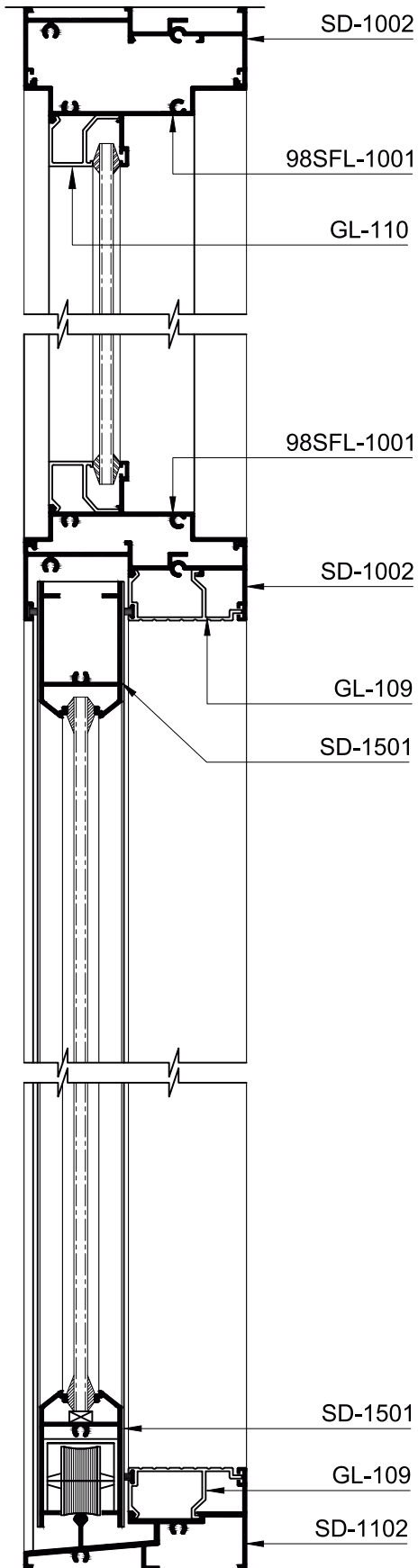
SECTION :- C - C



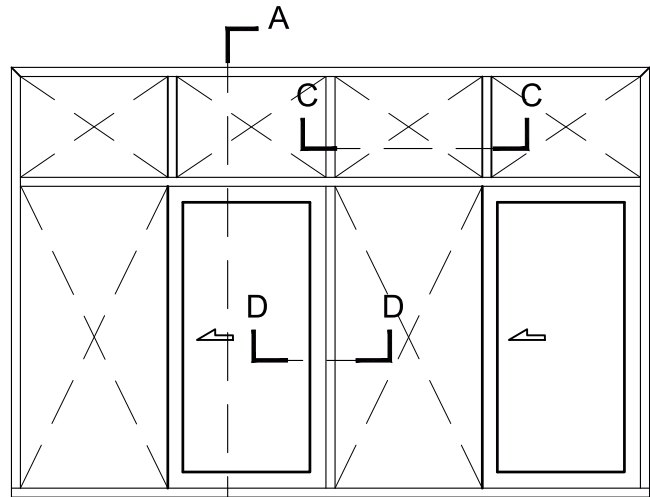
SECTION :- D - D

100mm Sliding Window

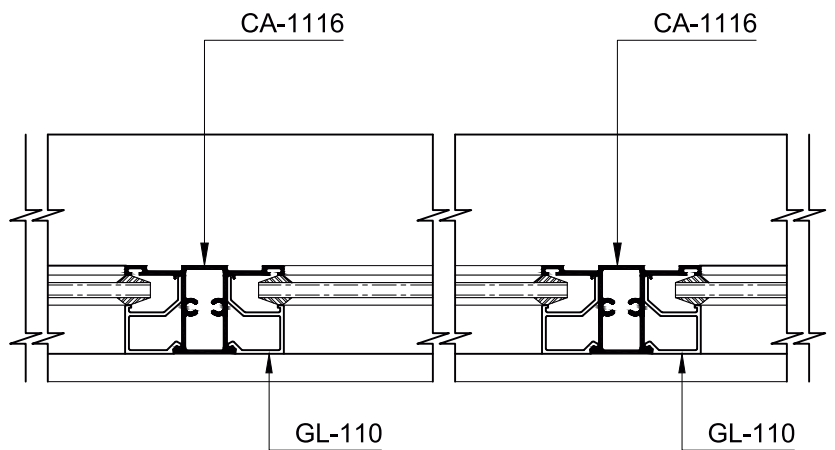
Group 03
Page 03



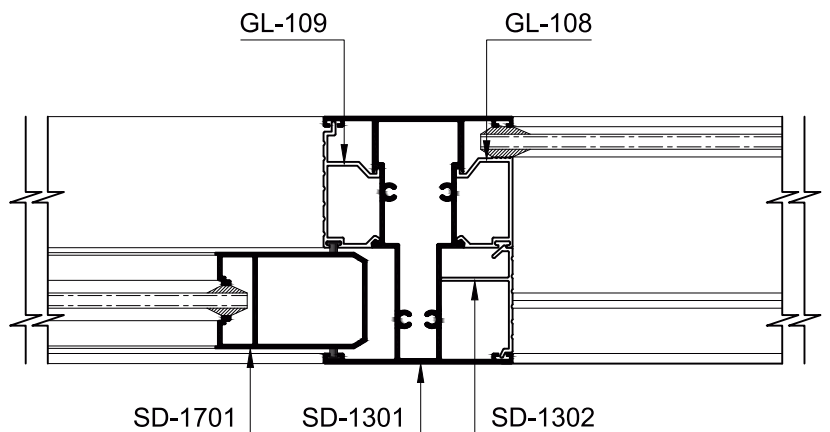
SECTION :- A - A



ELEVATION



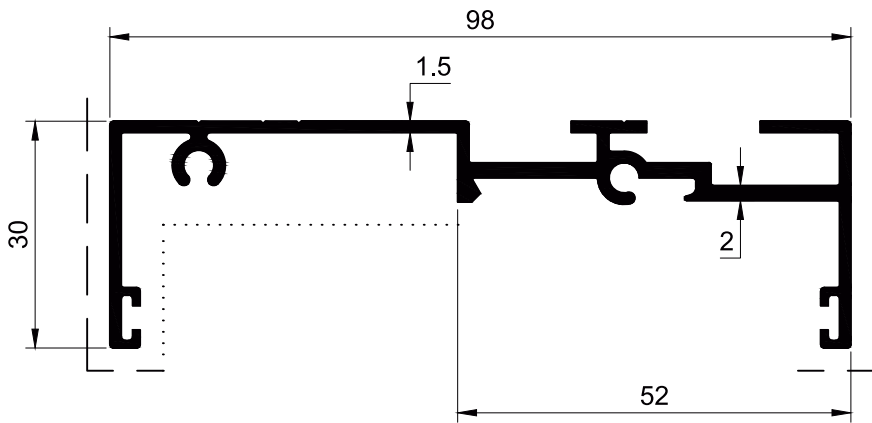
SECTION :- C - C



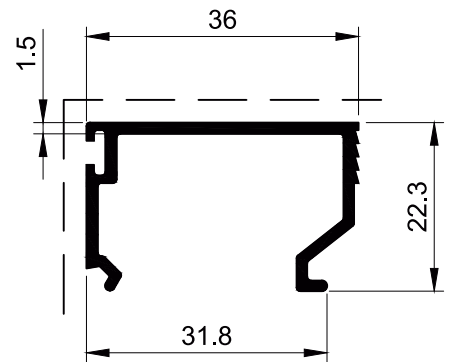
SECTION :- D - D

100mm Sliding Door

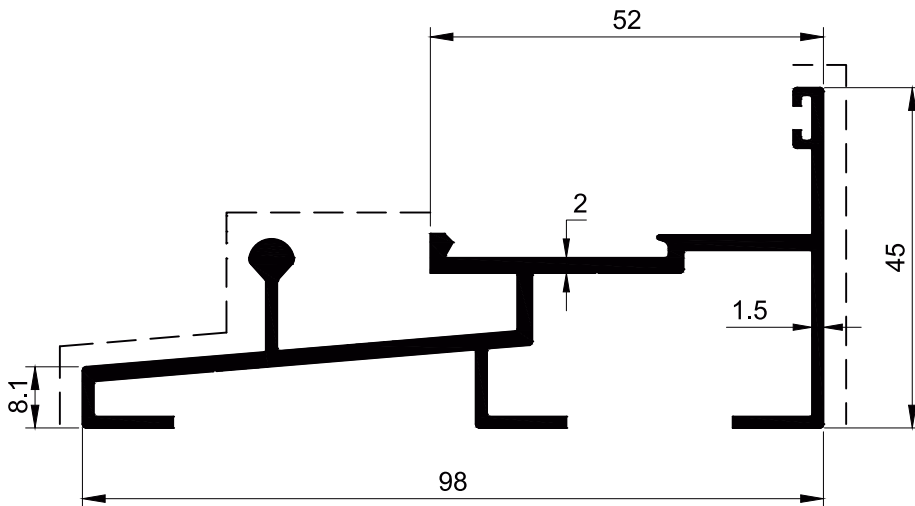
Group 03
Page 04



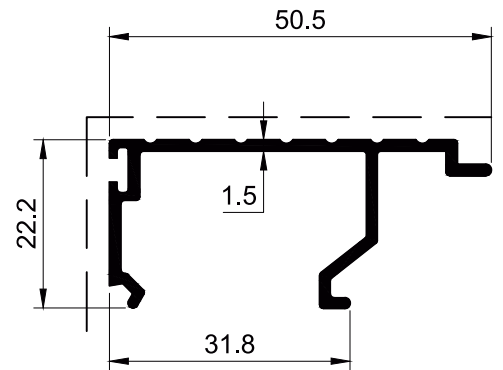
SECTION NO. - SD-1001
EST. WEIGHT - 0.984 KG./M.



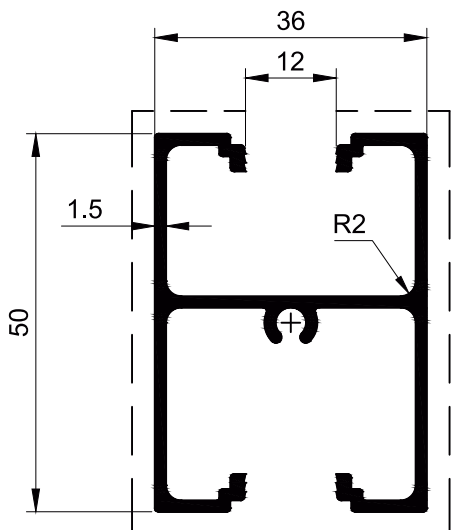
SECTION NO. - GL-108
EST. WEIGHT - 0.353 KG./M.



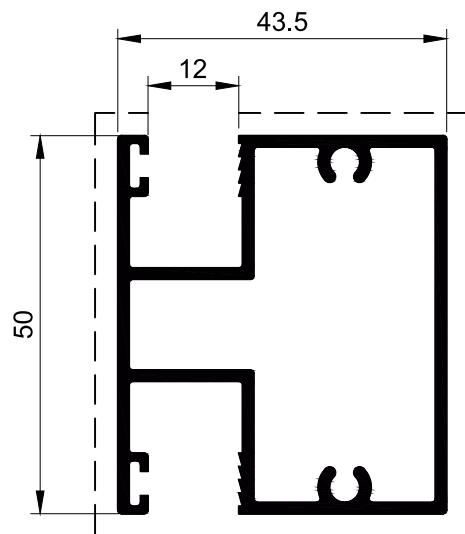
SECTION NO. - SD-1101
EST. WEIGHT - 1.175 KG./M.



SECTION NO. - GL-109
EST. WEIGHT - 0.406 KG./M.



SECTION NO. - SD-1801
EST. WEIGHT - 0.830 KG./M.

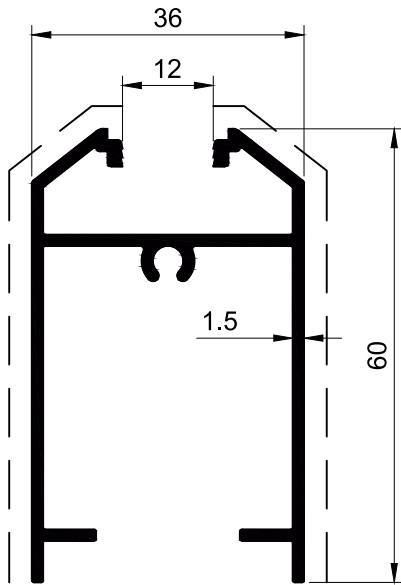


SECTION NO. - SD-1802
EST. WEIGHT - 1.013 KG./M.

----- : Significant Surface
..... : Insignificant Surface

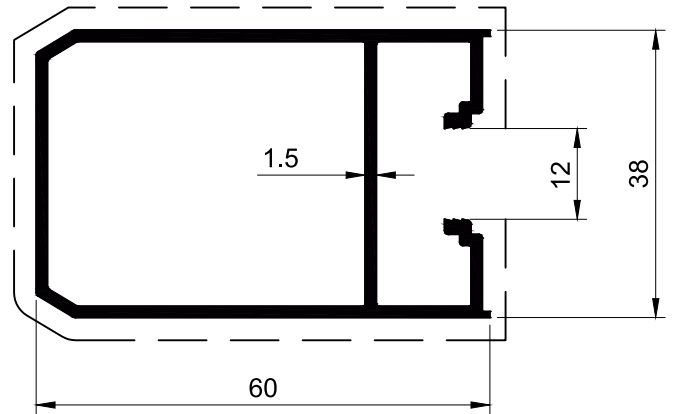
100mm Sliding Door

Group 03
Page 05



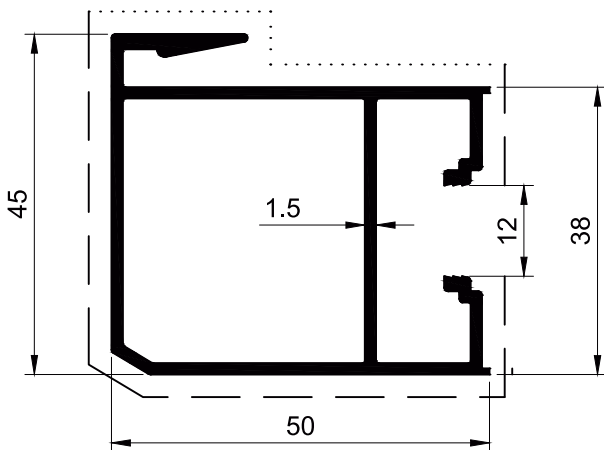
SECTION NO. - SD-1501

EST. WEIGHT - 0.796 KG./M.



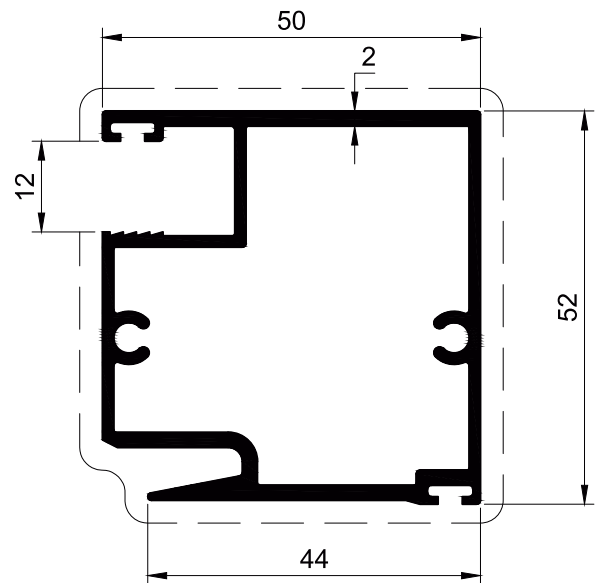
SECTION NO. - SD-1701

EST. WEIGHT - 0.875 KG./M.



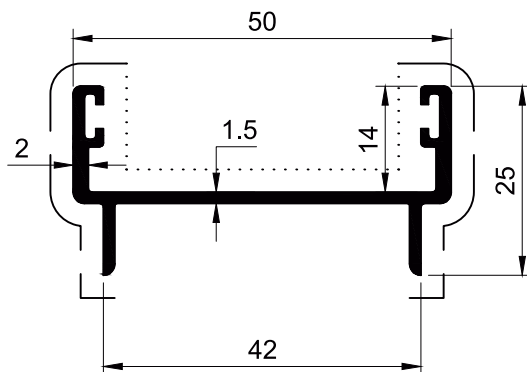
SECTION NO. - SD-1601

EST. WEIGHT - 0.920 KG./M.



SECTION NO. - SD-1602

EST. WEIGHT - 1.184 KG./M.



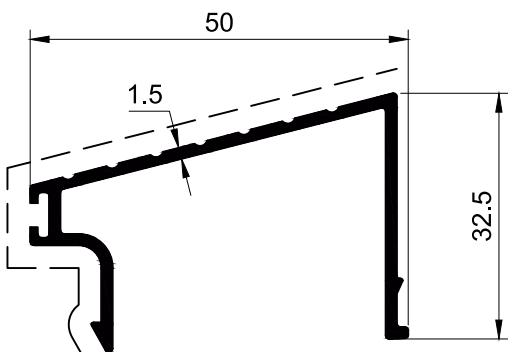
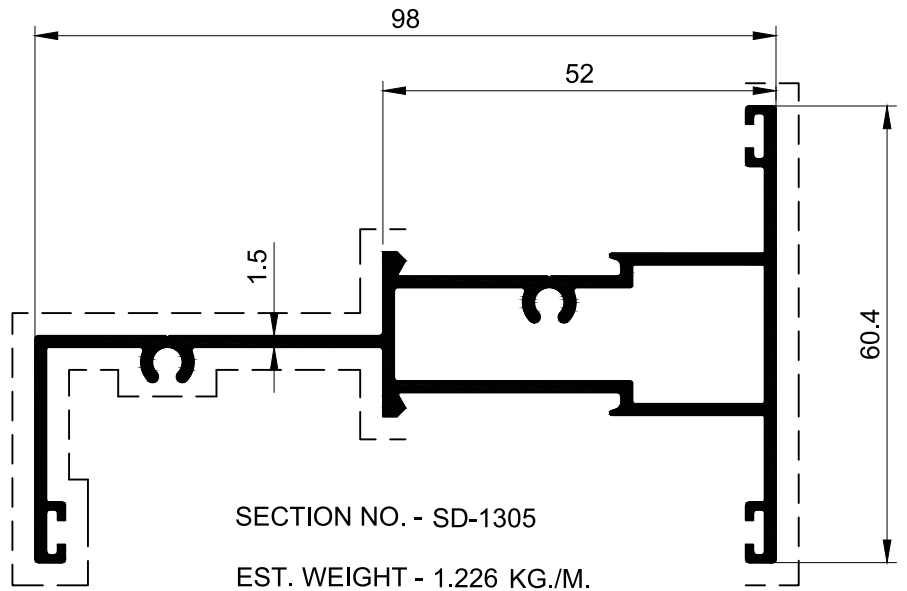
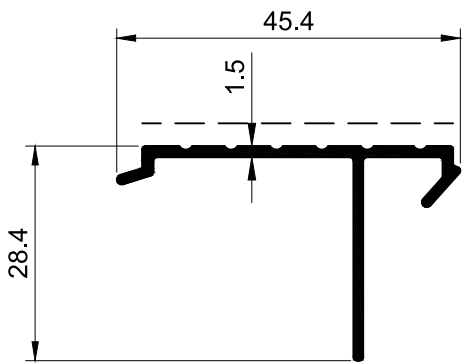
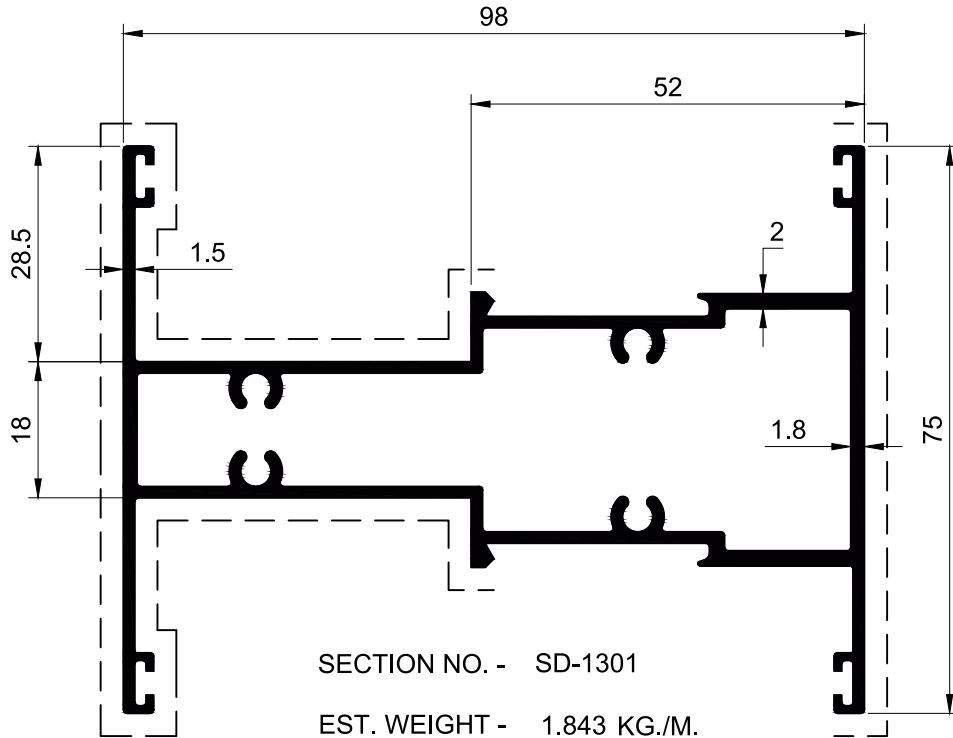
SECTION NO. - SD-1901

EST. WEIGHT - 0.447 KG./M.

----- : Significant Surface
..... : Insignificant Surface

100mm Sliding Door

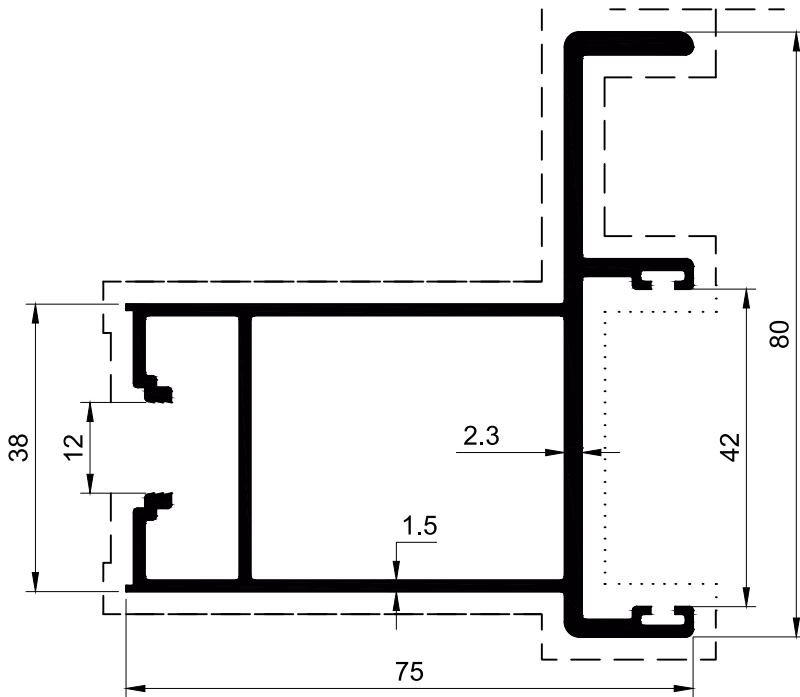
Group 03
Page 06



----- : Significant Surface
..... : Insignificant Surface

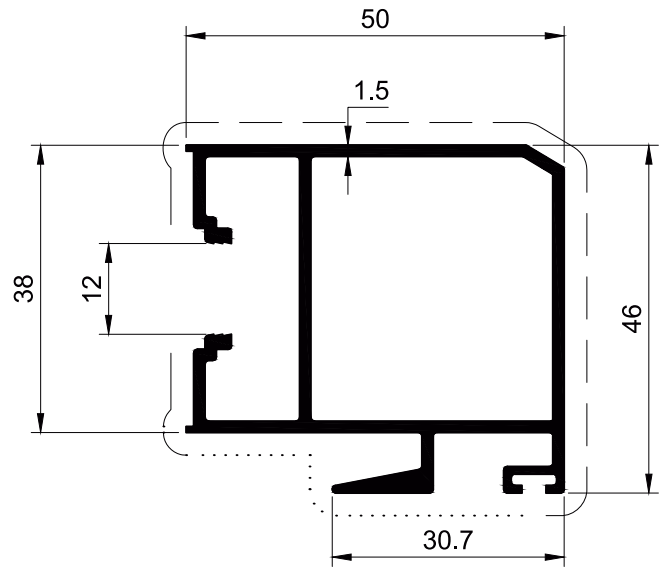
100mm Sliding Door

Group 03
Page 07



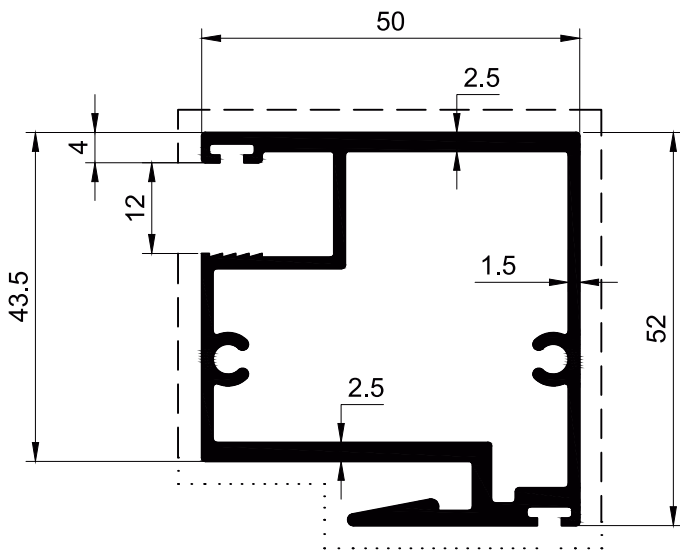
SECTION NO. - SD-1702

EST. WEIGHT - 1.532 KG./M.



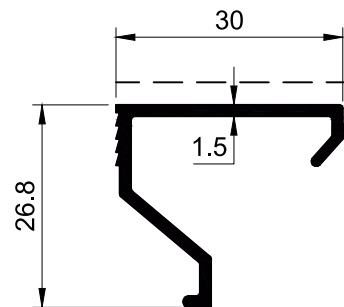
SECTION NO. - SD-1601A

EST. WEIGHT - 0.961 KG./M.



SECTION NO. - SD-1602A

EST. WEIGHT - 1.363 KG./M.



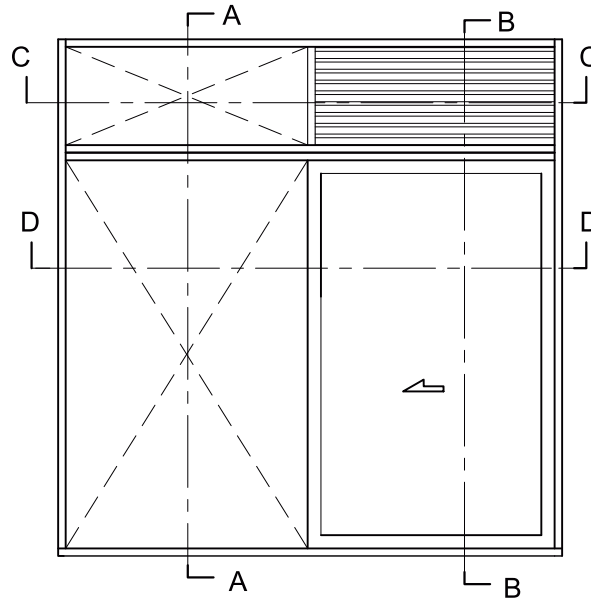
SECTION NO. - SD-1304

EST. WEIGHT - 0.288 KG./M.

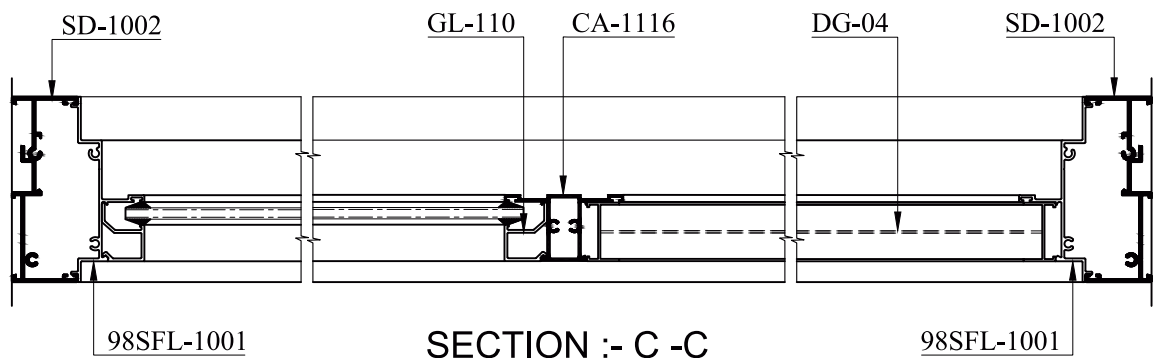
----- : Significant Surface
..... : Insignificant Surface

100mm Sliding Door

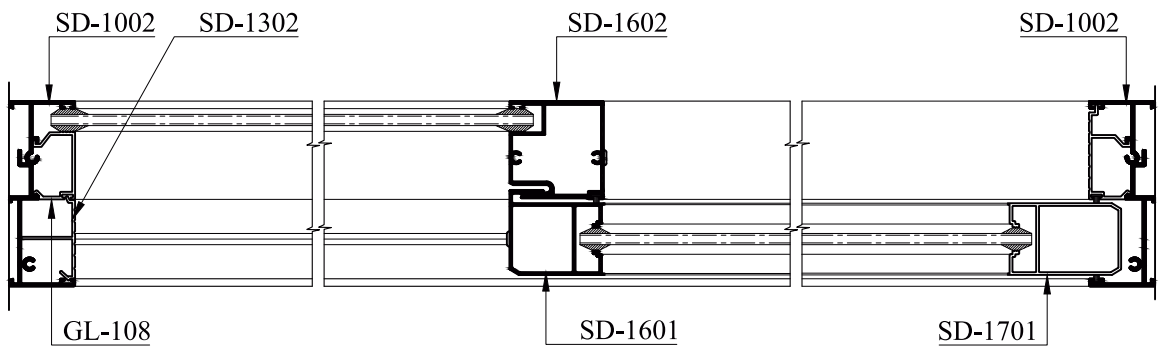
Group 03
Page 08



ELEVATION



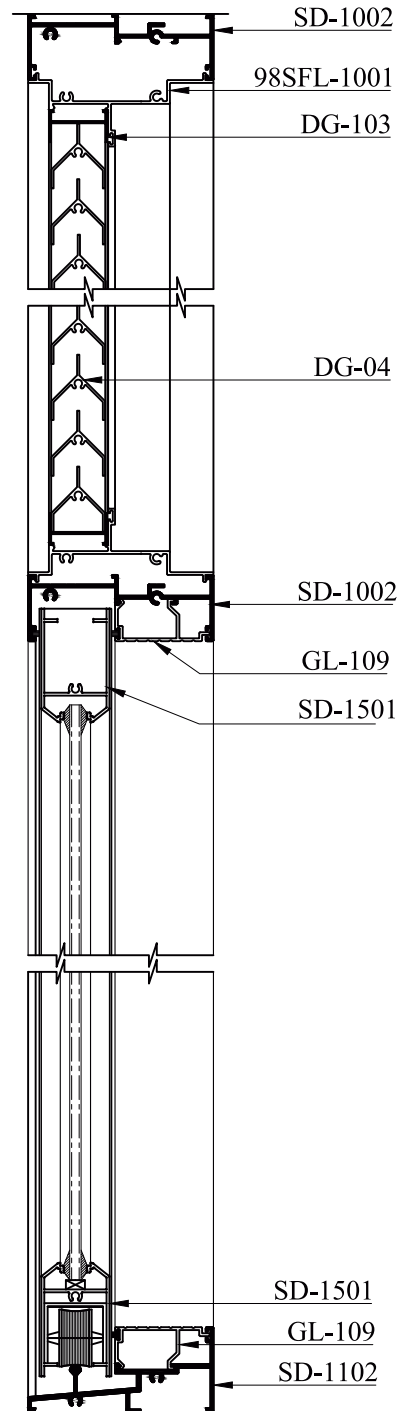
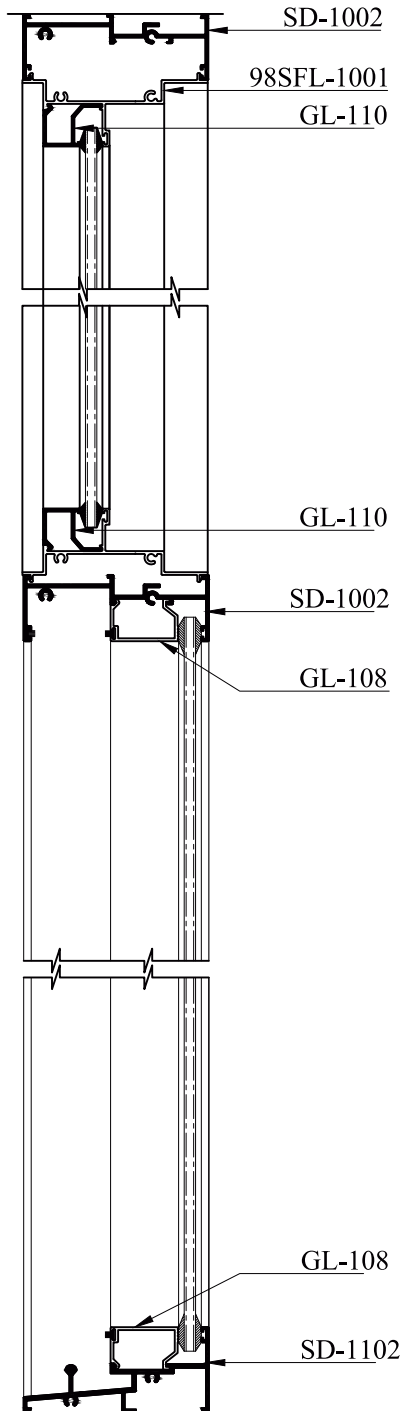
SECTION :- C -C



SECTION :- D -D

100mm Sliding Door

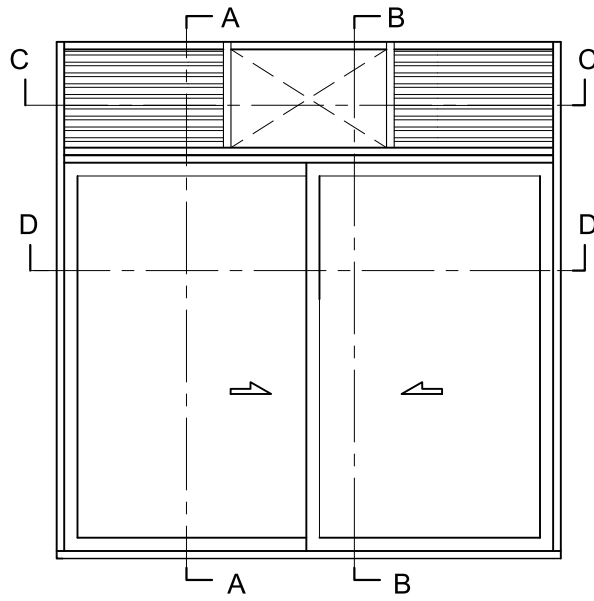
Group 03
Page 09



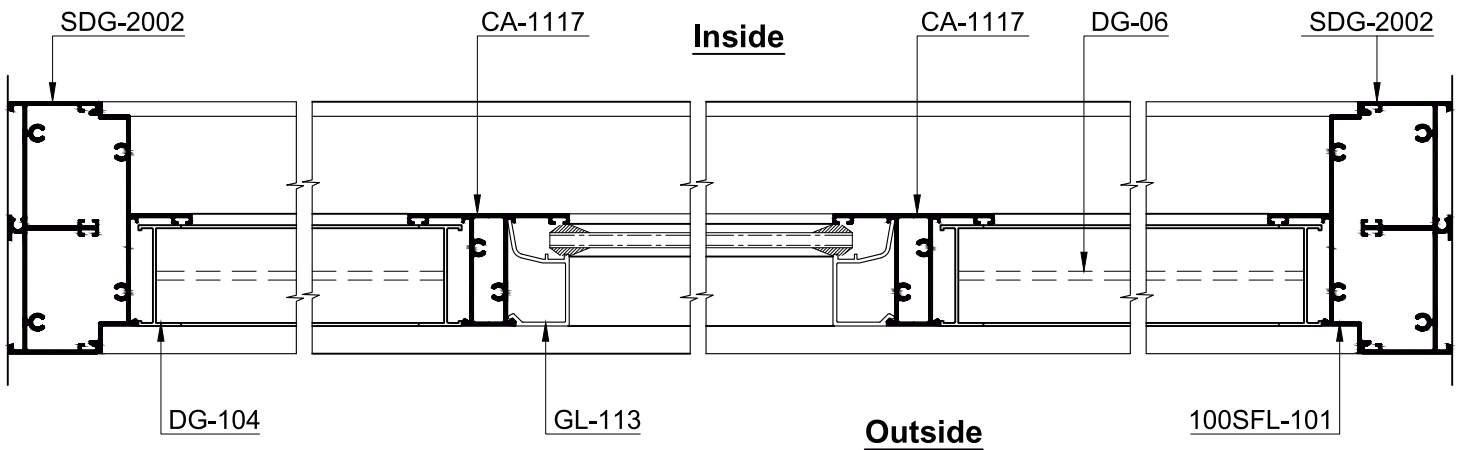
----- : Significant Surface
..... : Insignificant Surface

100mm Sliding Door

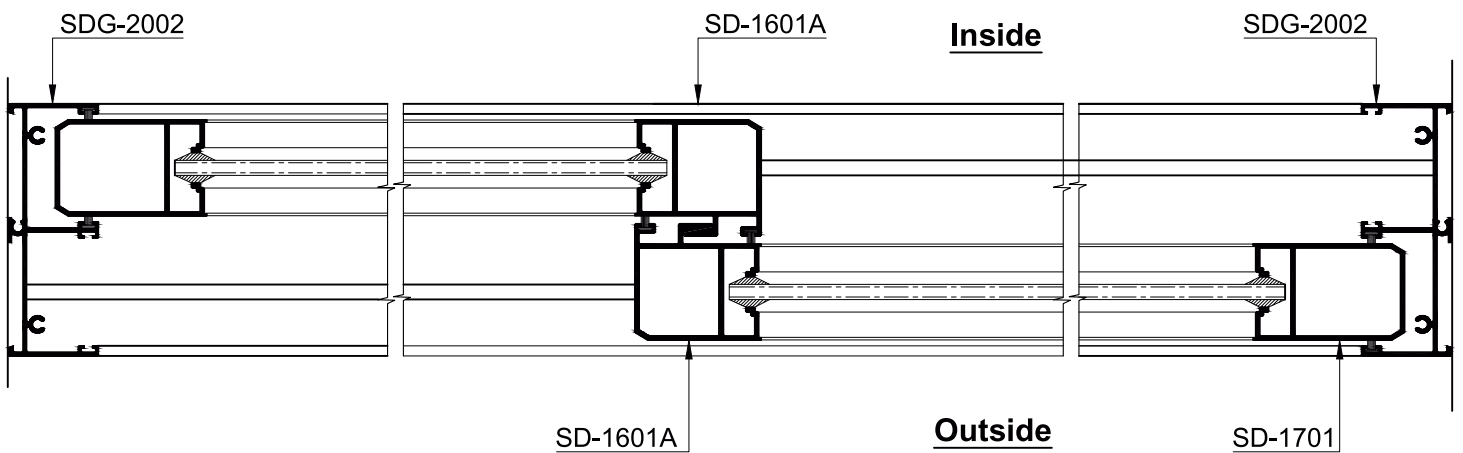
Group 03
Page 10



ELEVATION



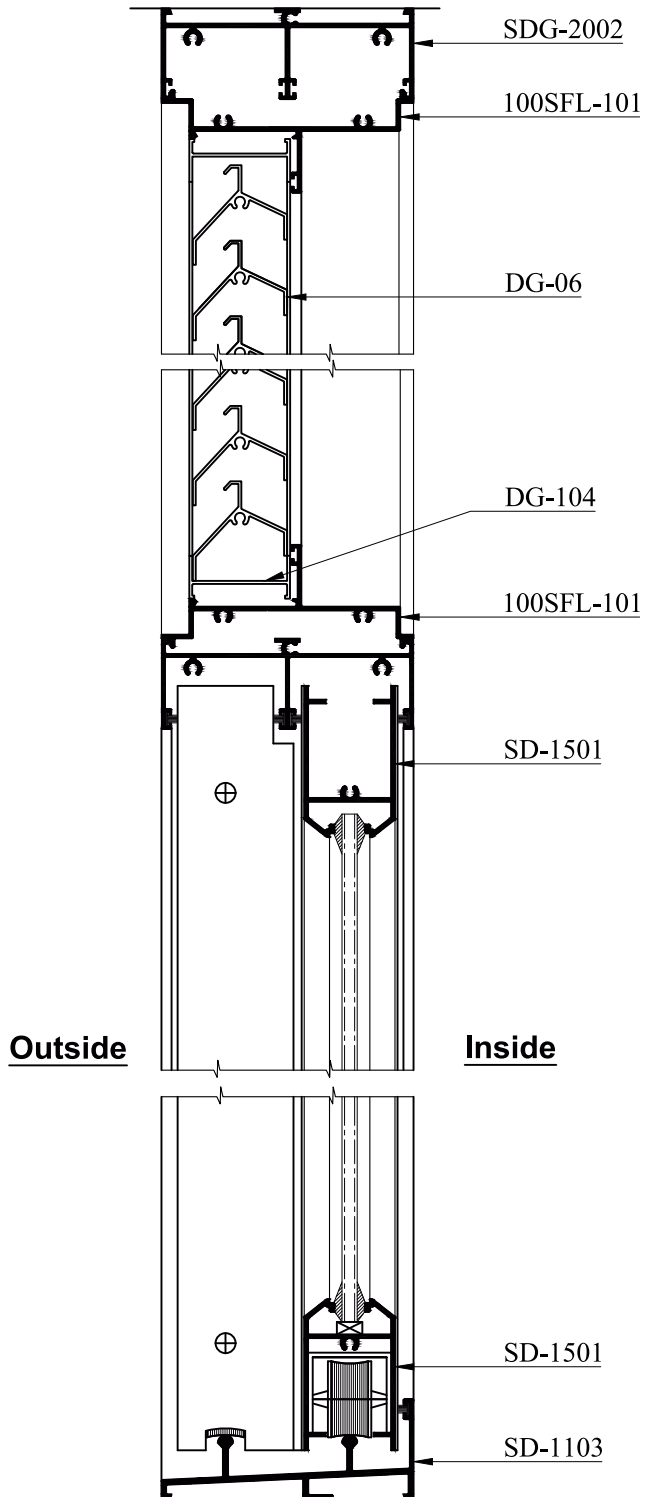
SECTION :- C - C



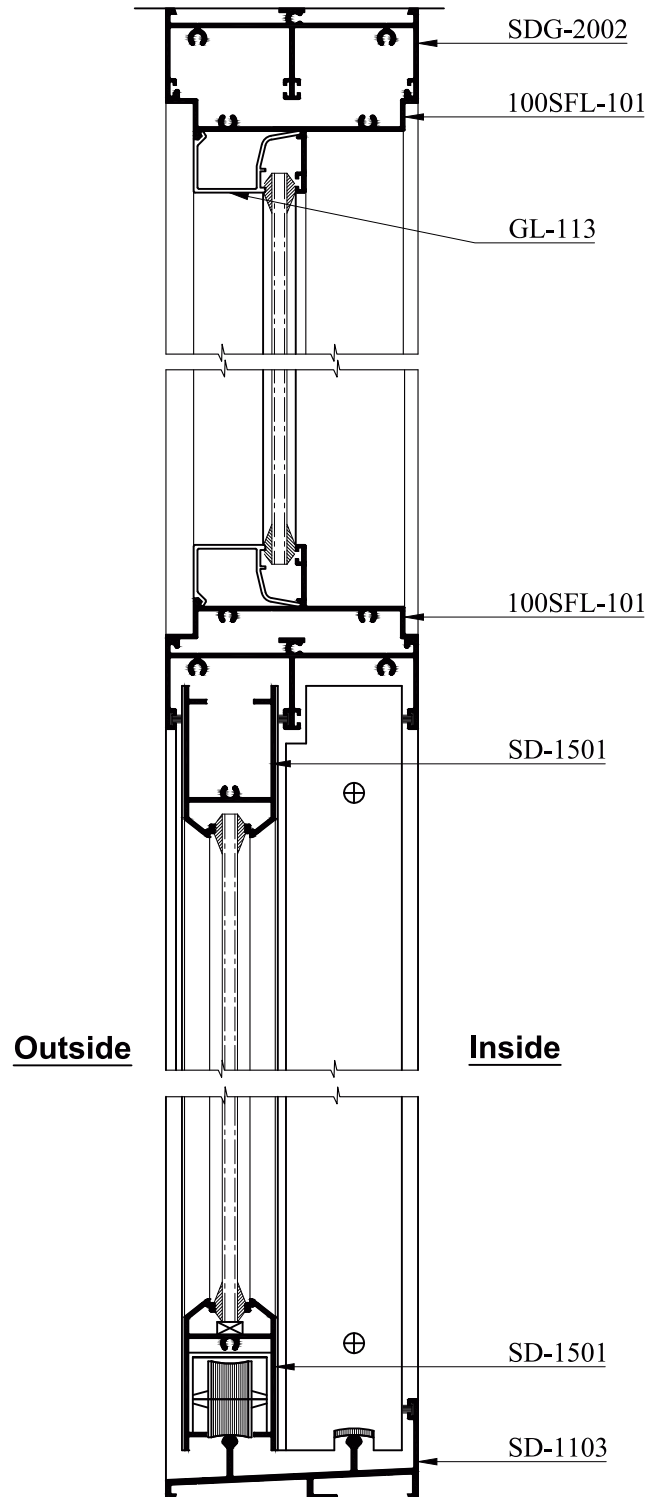
SECTION :- D - D

100mm Sliding Door

Group 03
Page 11



SECTION :- A - A

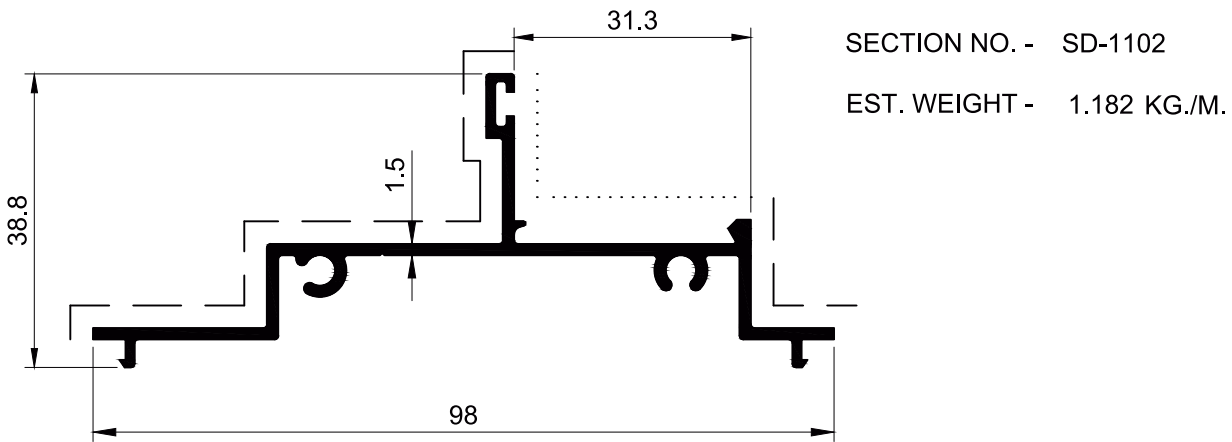
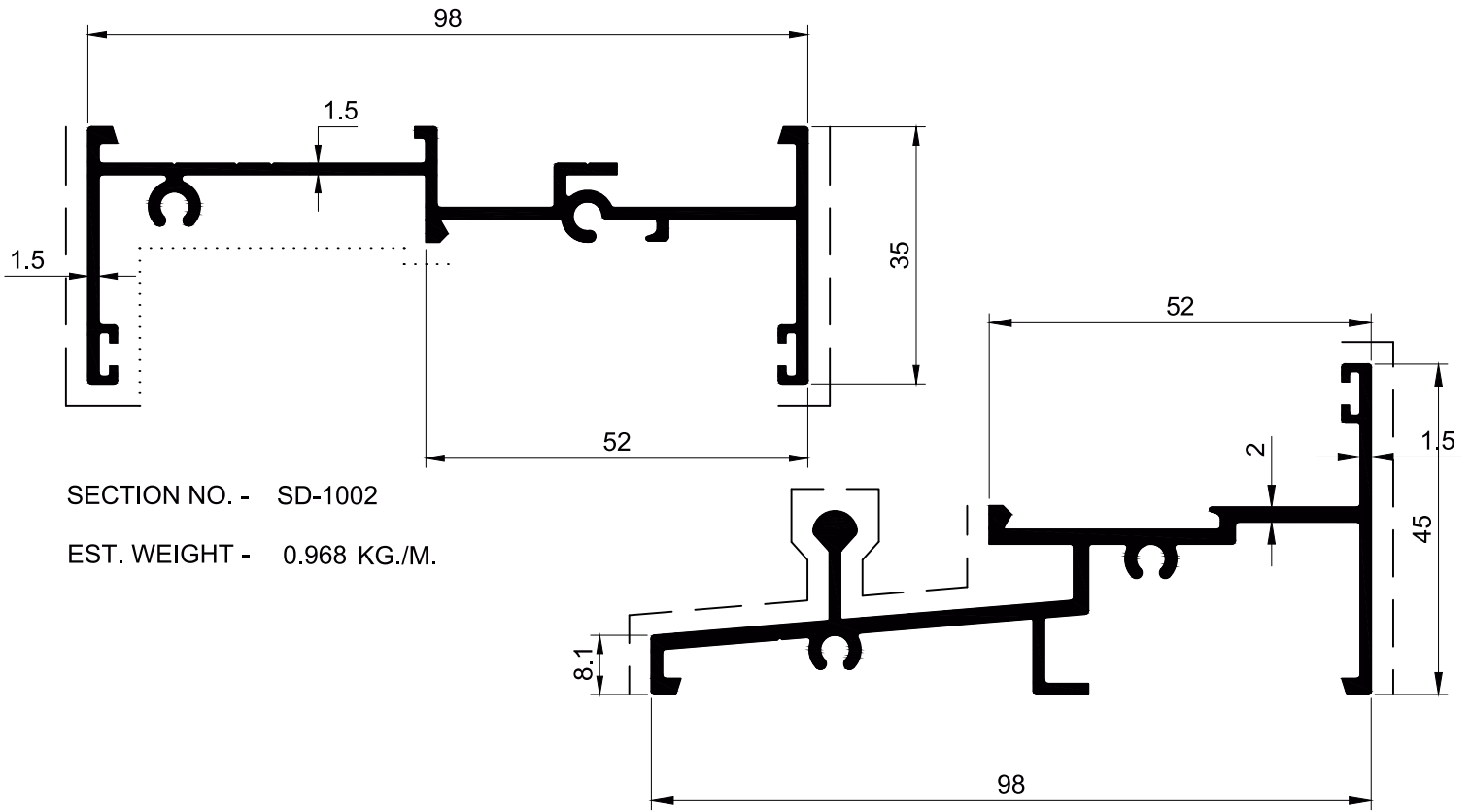


SECTION :- B - B

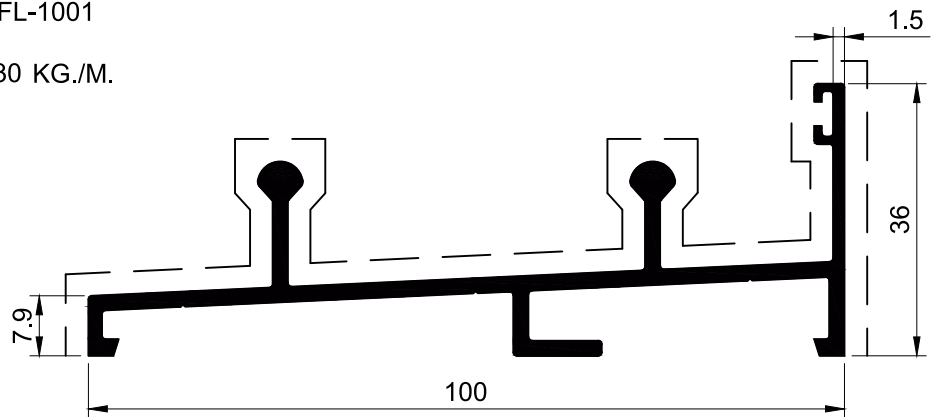
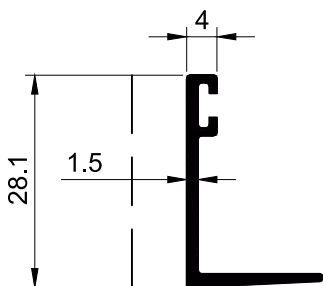
----- : Significant Surface
 : Insignificant Surface

100mm Sliding Door

Group 03
Page 12



SECTION NO. - 98SFL-1001
EST. WEIGHT - 0.730 KG./M.



----- : Significant Surface
..... : Insignificant Surface