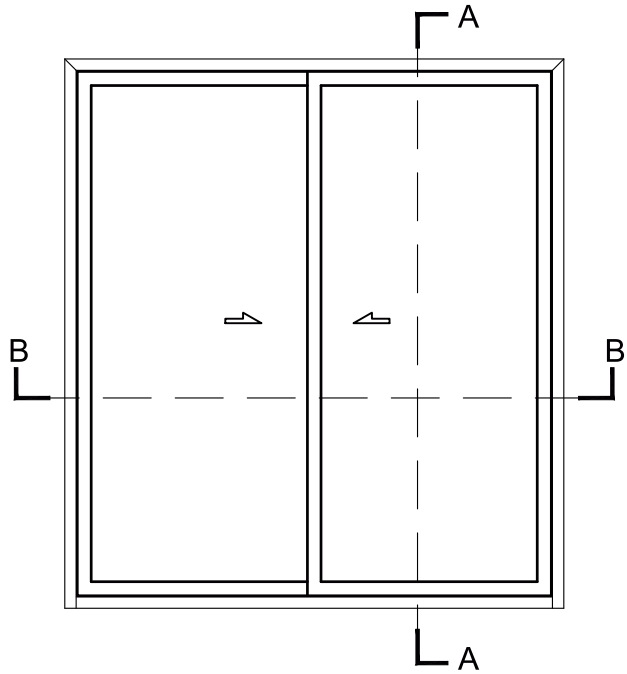
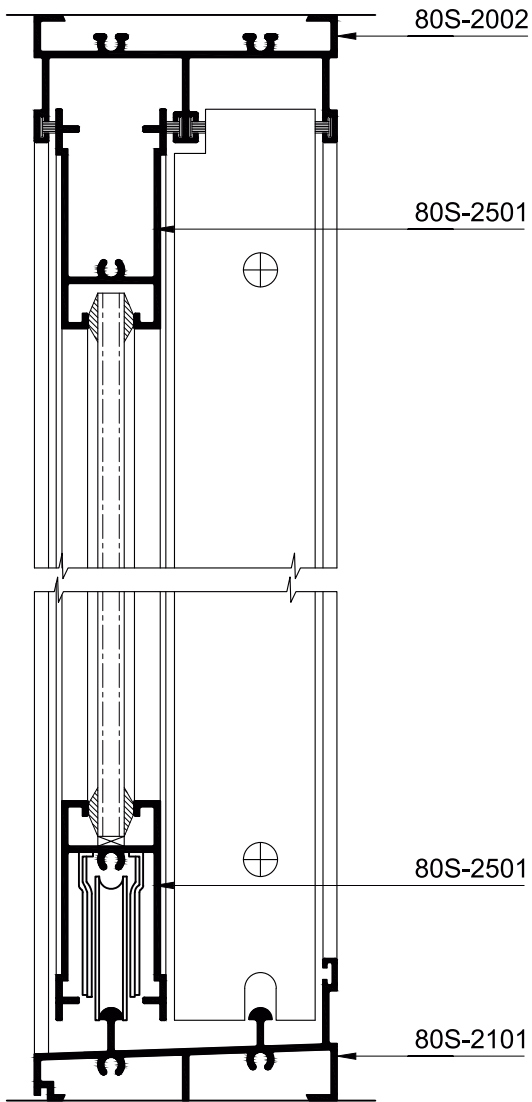


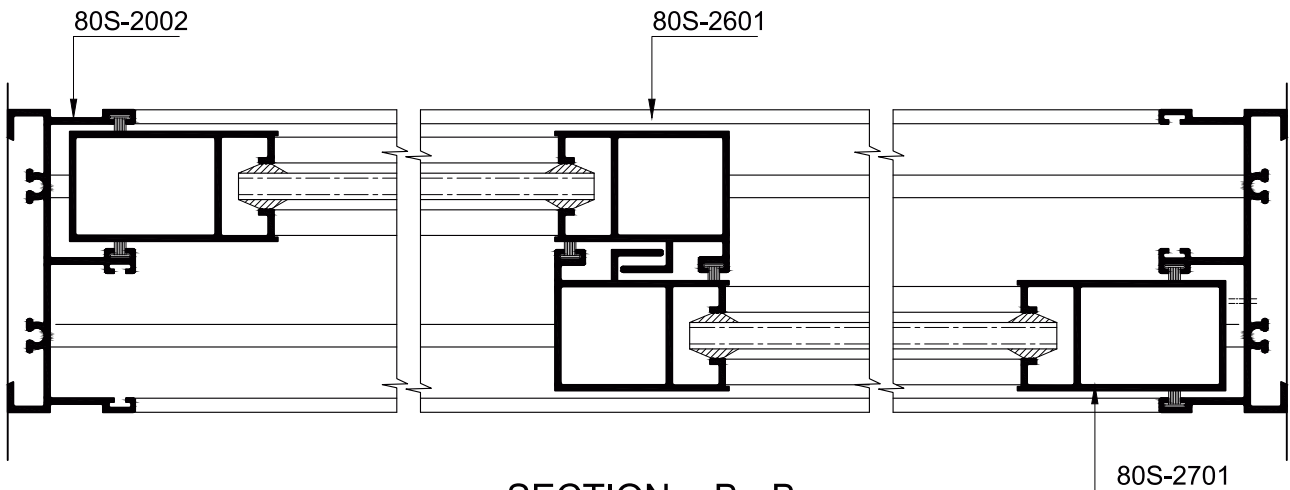
80mm Sliding

Group 02
Page 01



ELEVATION

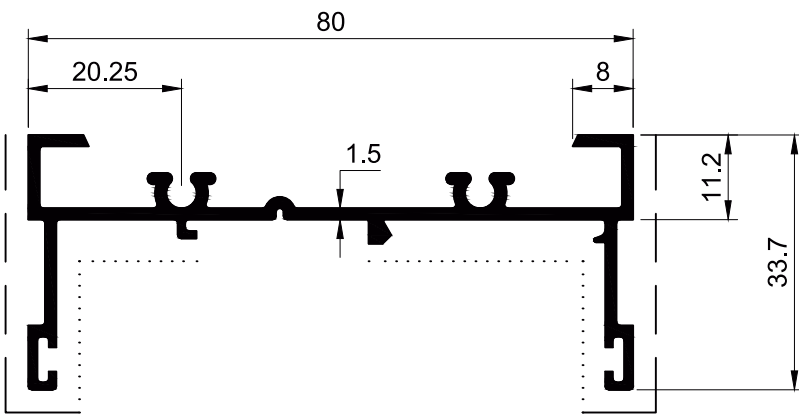
SECTION :- A - A



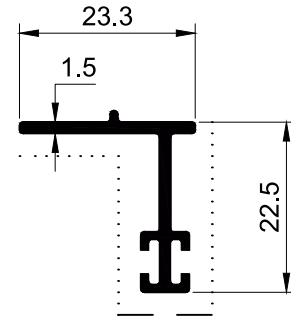
SECTION :- B - B

80mm Sliding

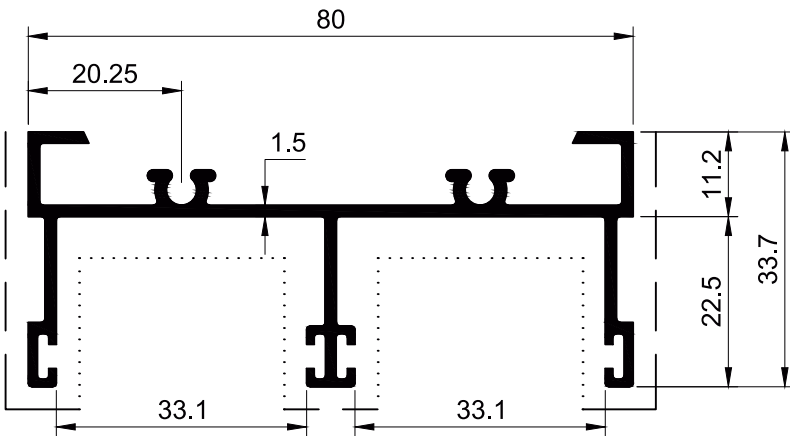
Group 02
Page 02



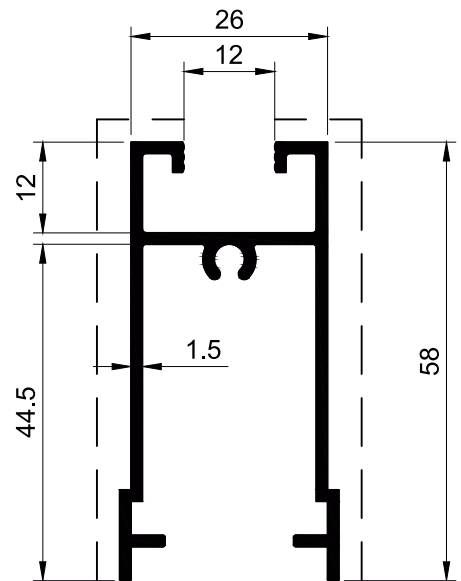
SECTION NO. - 80S-2001
EST. WEIGHT - 0.823 KG./M.



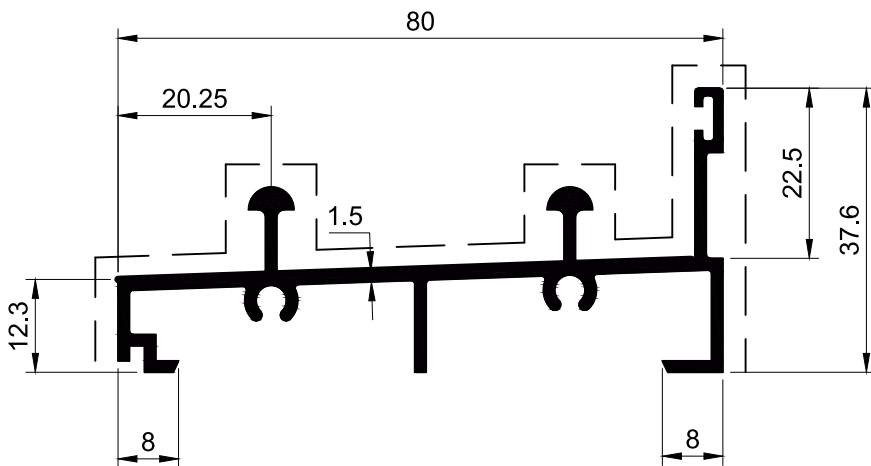
SECTION NO. - 80SFL-1001
EST. WEIGHT - 0.217 KG./M.



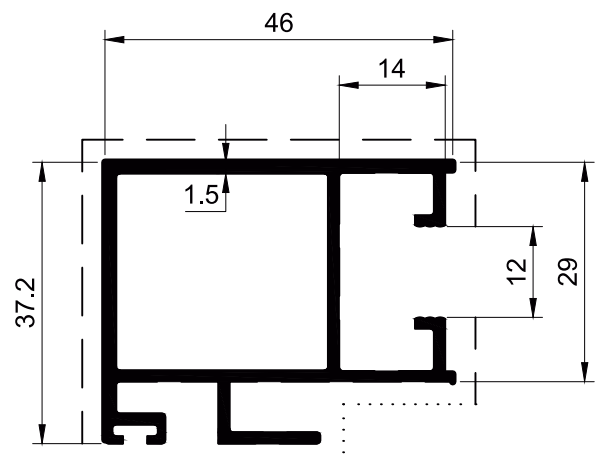
SECTION NO. - 80S-2002
EST. WEIGHT - 0.911 KG./M.



SECTION NO. - 80S-2501
EST. WEIGHT - 0.717 KG./M.



SECTION NO. - 80S-2101
EST. WEIGHT - 0.866 KG./M.

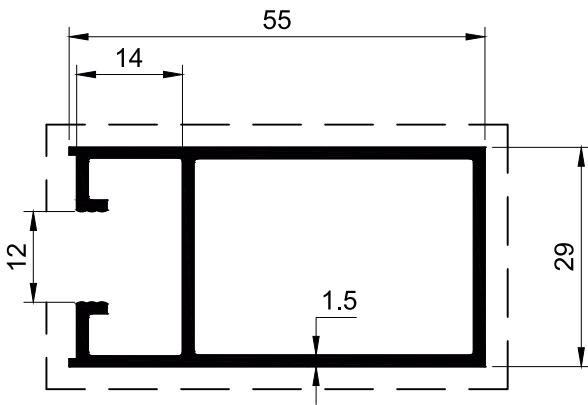


SECTION NO. - 80S-2601
EST. WEIGHT - 0.803 KG./M.

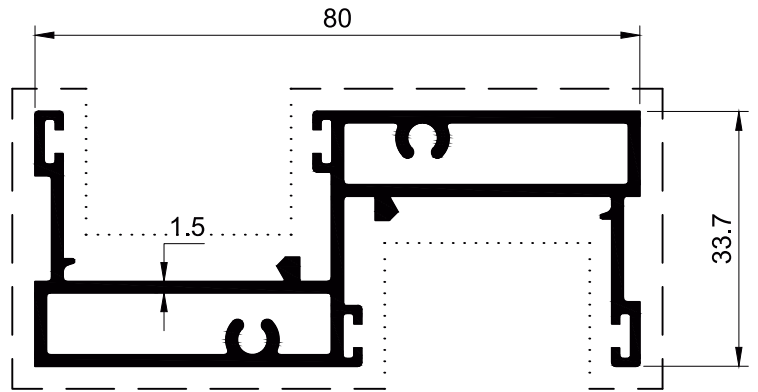
----- : Significant Surface
..... : Insignificant Surface

80mm Sliding

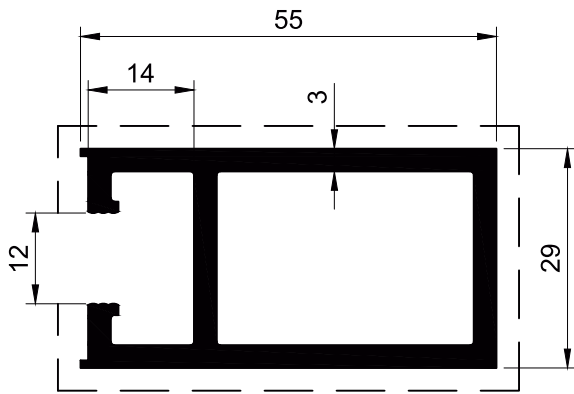
Group 02
Page 03



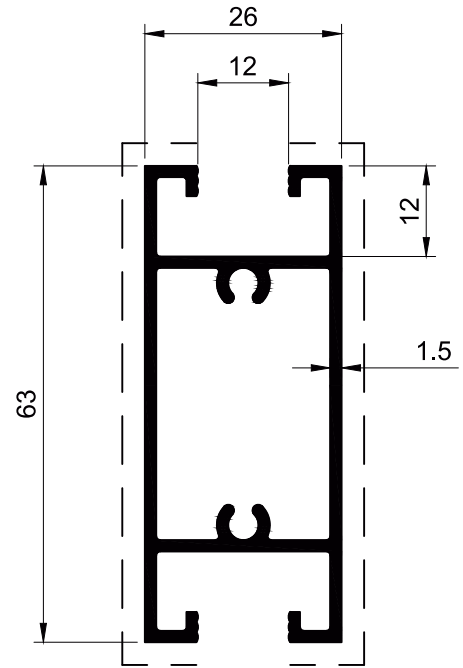
SECTION NO. - 80S-2701
EST. WEIGHT - 0.724 KG./M.



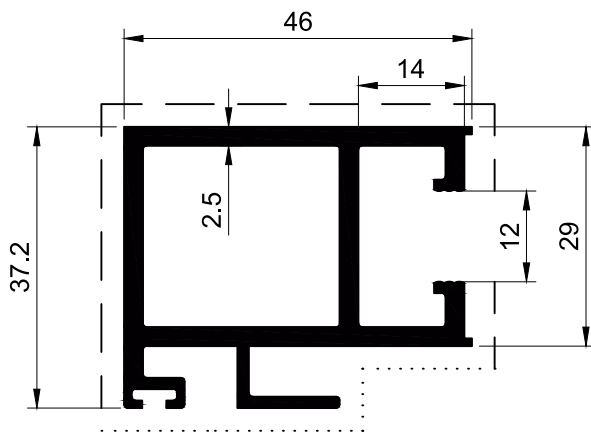
SECTION NO. - 80S-2201
EST. WEIGHT - 1.237 KG./M.



SECTION NO. - 80S-2701H
EST. WEIGHT - 1.350 KG./M.



SECTION NO. - 80S-2801
EST. WEIGHT - 0.909 KG./M.

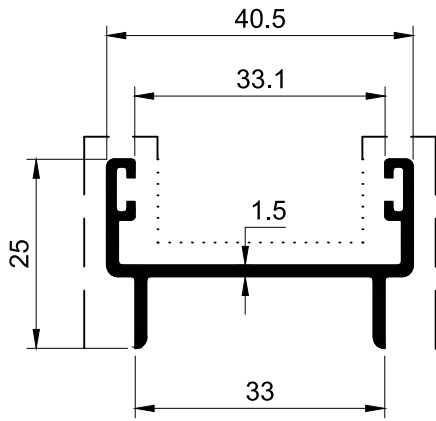


SECTION NO. - 80S-2601H
EST. WEIGHT - 1.194 KG./M.

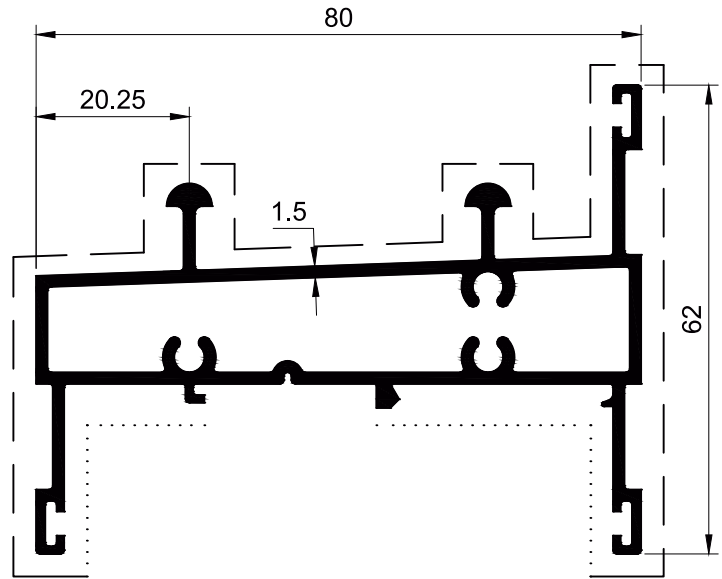
----- : Significant Surface
..... : Insignificant Surface

80mm Sliding

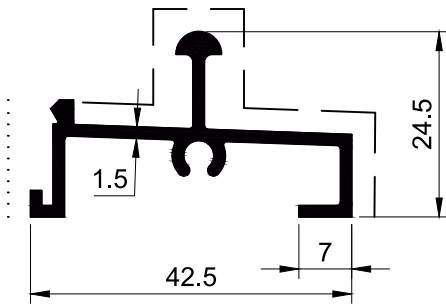
Group 02
Page 04



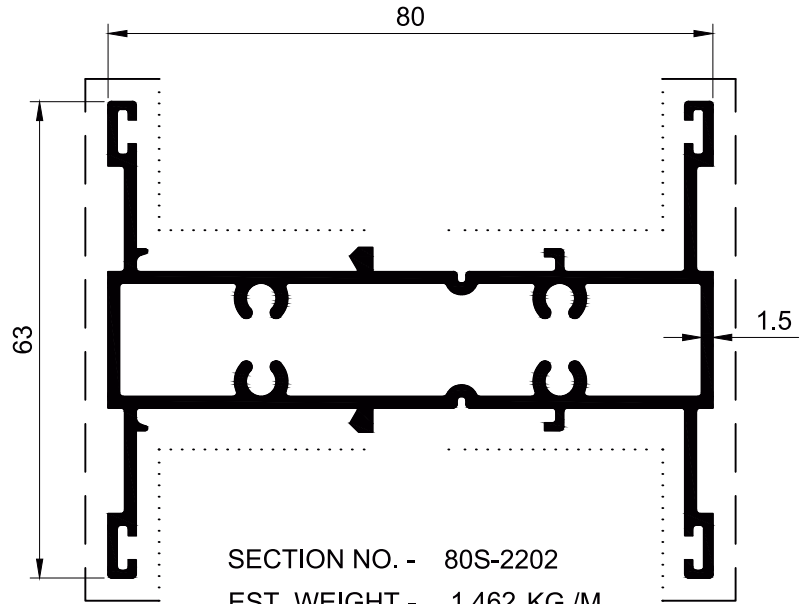
SECTION NO. - 80S-2901
EST. WEIGHT - 0.379 KG./M.



SECTION NO. - 80S-2301
EST. WEIGHT - 1.391 KG./M.



SECTION NO. - SS-2101
EST. WEIGHT - 0.420 KG./M.

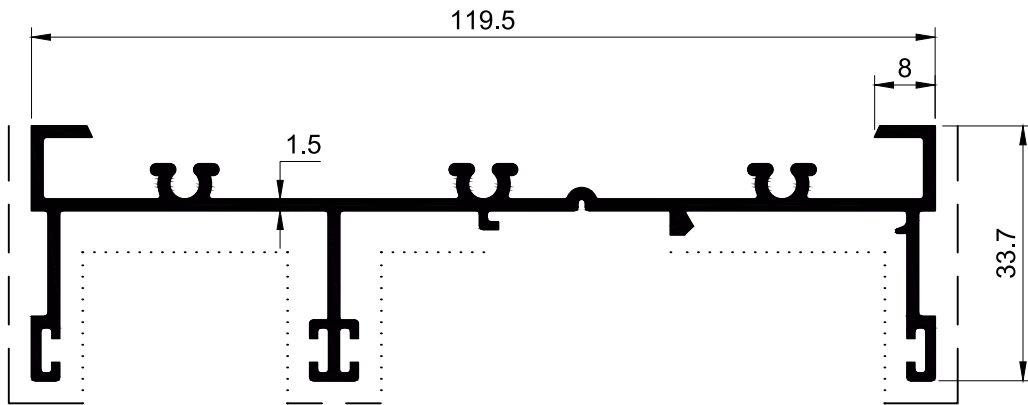


SECTION NO. - 80S-2202
EST. WEIGHT - 1.462 KG./M.

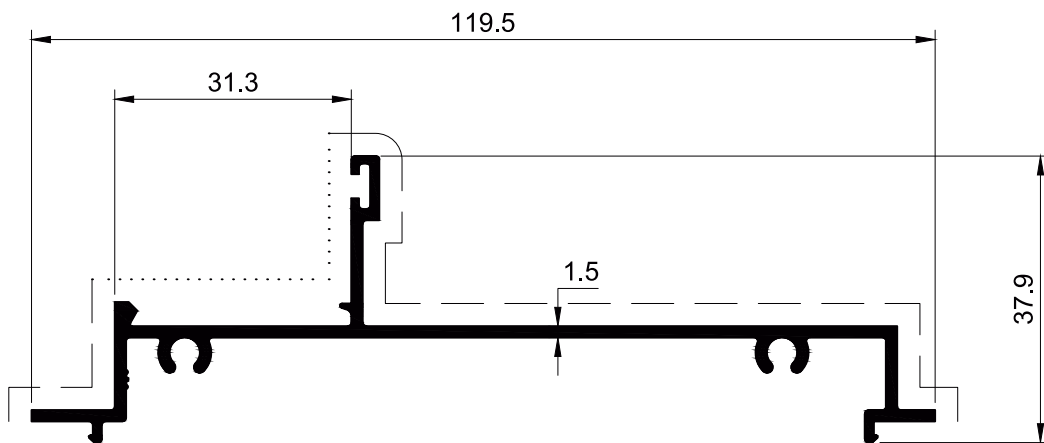
----- : Significant Surface
..... : Insignificant Surface

80mm Sliding

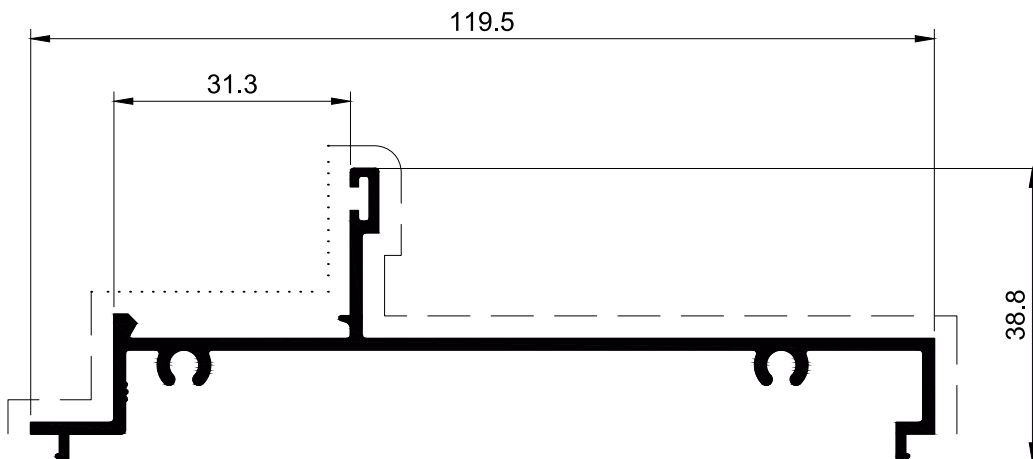
Group 02
Page 05



SECTION NO. - 80S-2001A
EST. WEIGHT - 1.168 KG./M.



SECTION NO. - 80SFL-1005
EST. WEIGHT - 0.823 KG./M.

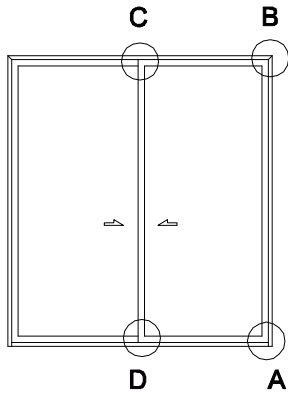


SECTION NO. - 80SFL-1006
EST. WEIGHT - 0.831 KG./M.

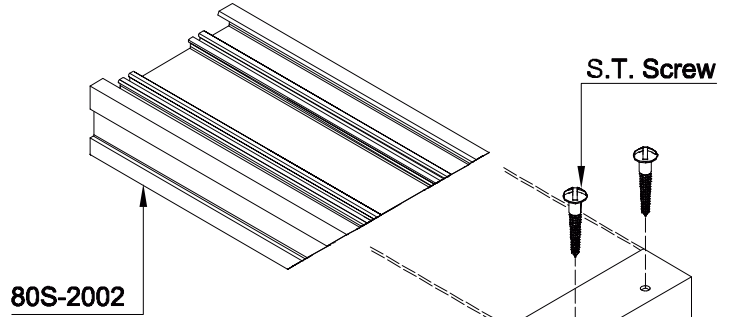
----- : Significant Surface
..... : Insignificant Surface

3D Assembly Detail Of 80mm Sliding

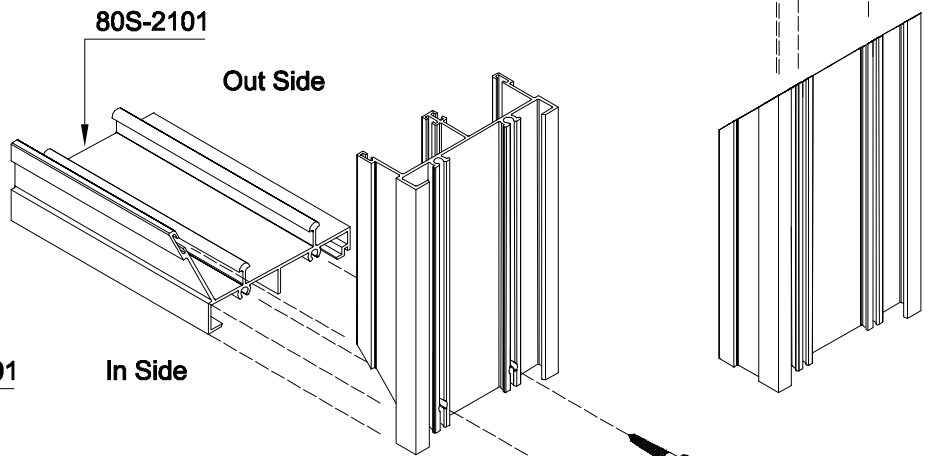
Group 02
Page 06



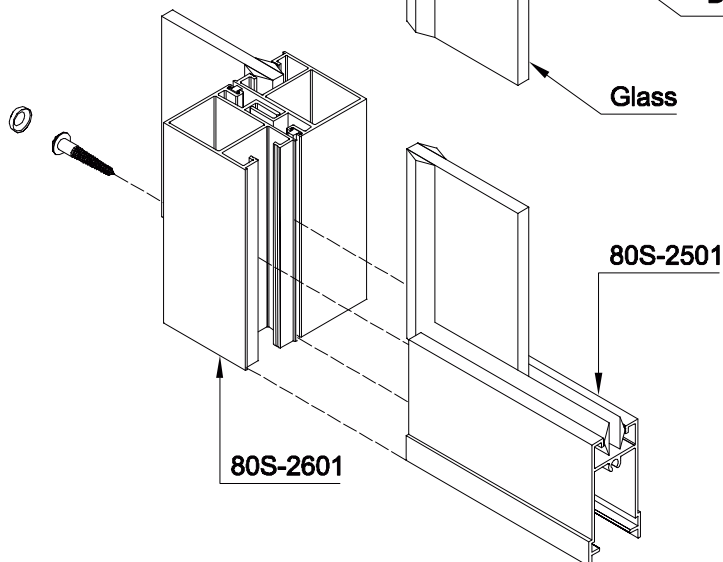
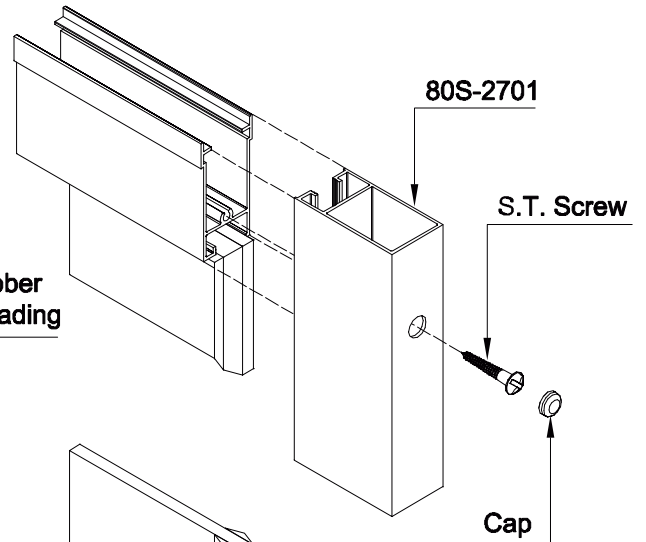
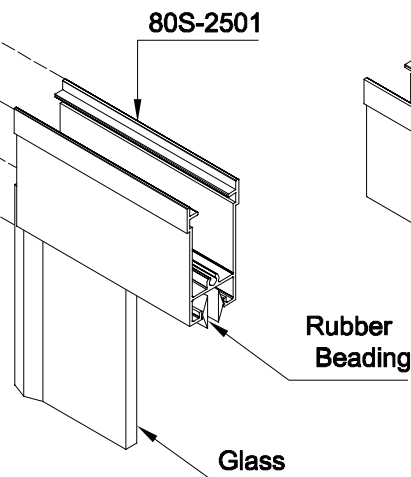
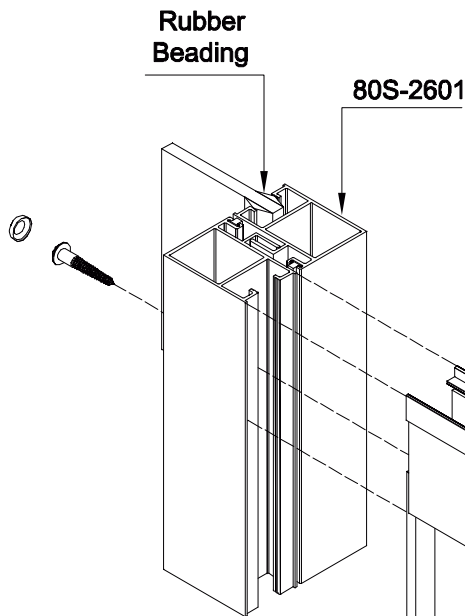
Elevation



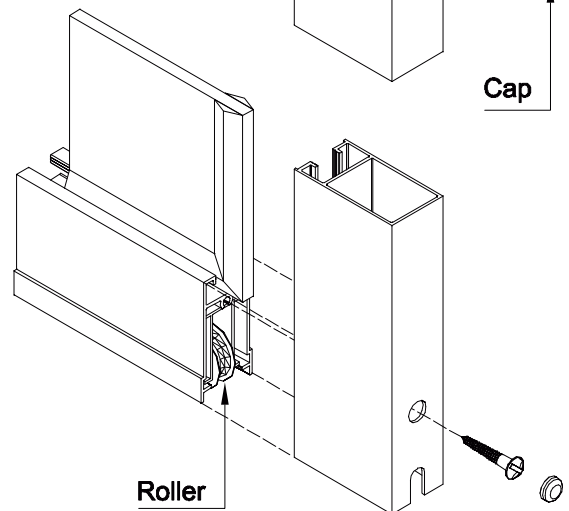
Detail - "B" Head & Jamb Joint



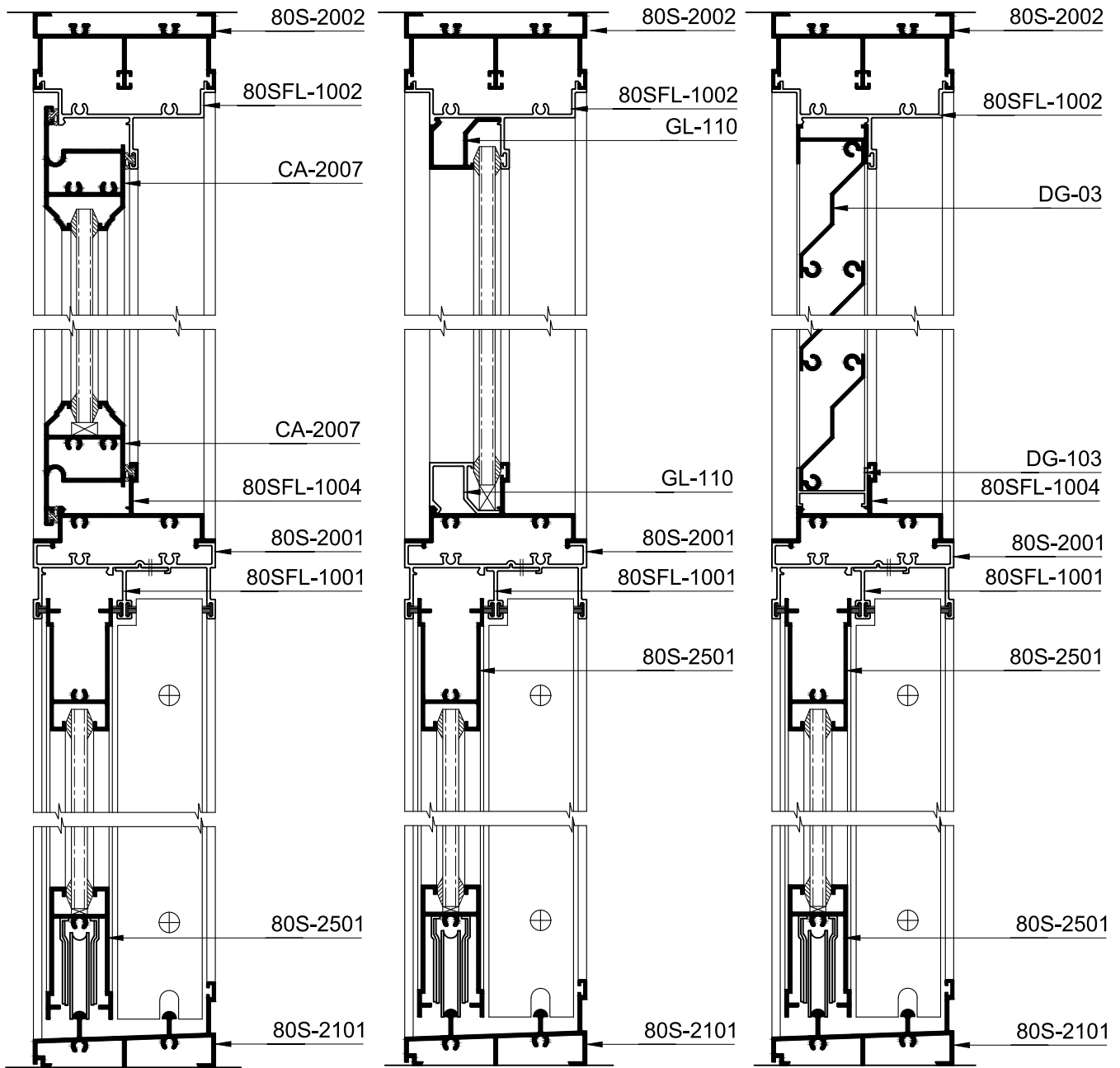
Detail - "A" Sill & Jamb Joint



Detail - "A", "B" & "C", "D"
Sash Joint



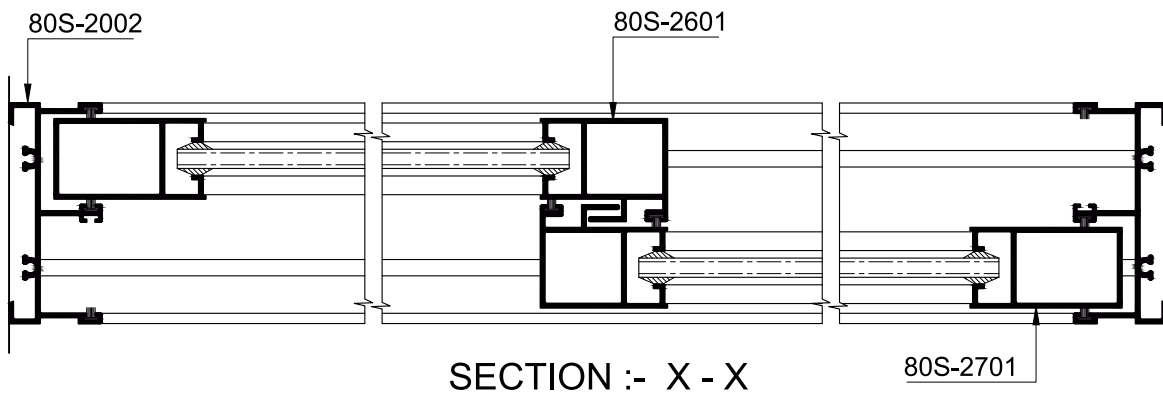
80mm Sliding



SECTION :- A - A

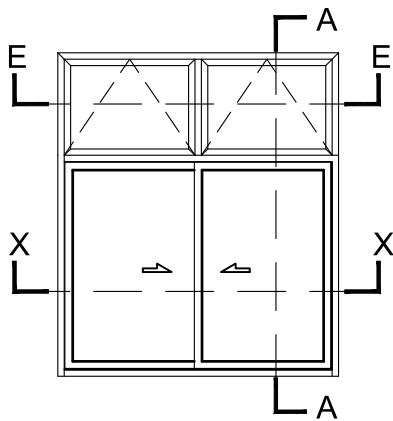
SECTION :- B - B

SECTION :- C - C

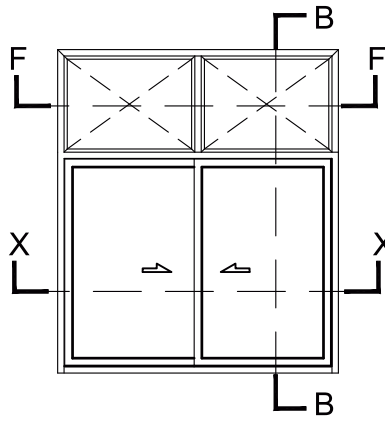


SECTION :- X - X

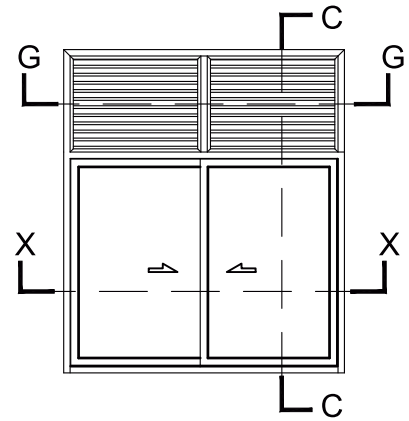
80mm Sliding



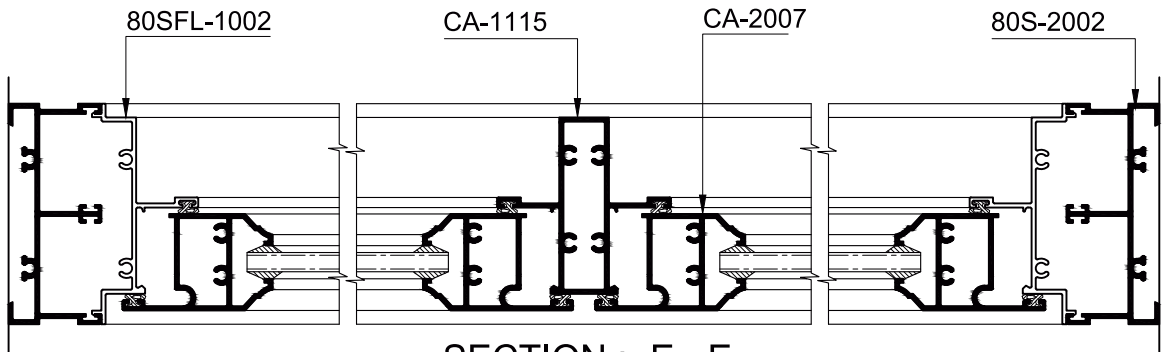
SLIDING WITH
TOP HUNG



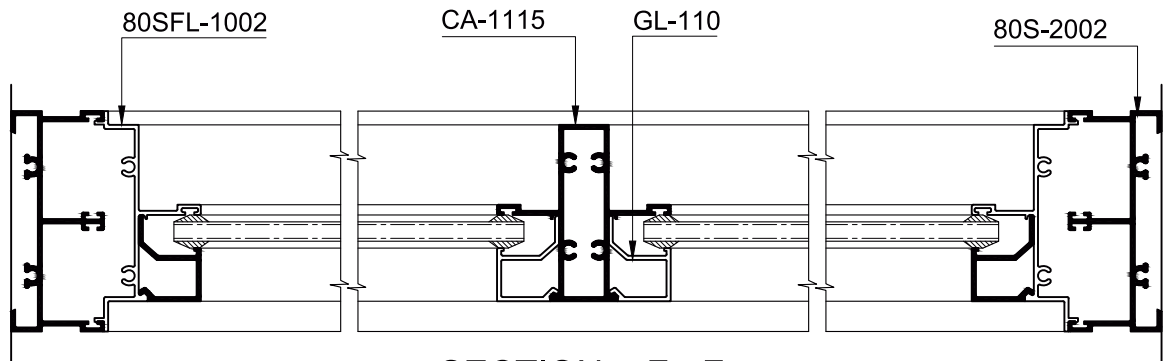
SLIDING WITH
TOP FIXED



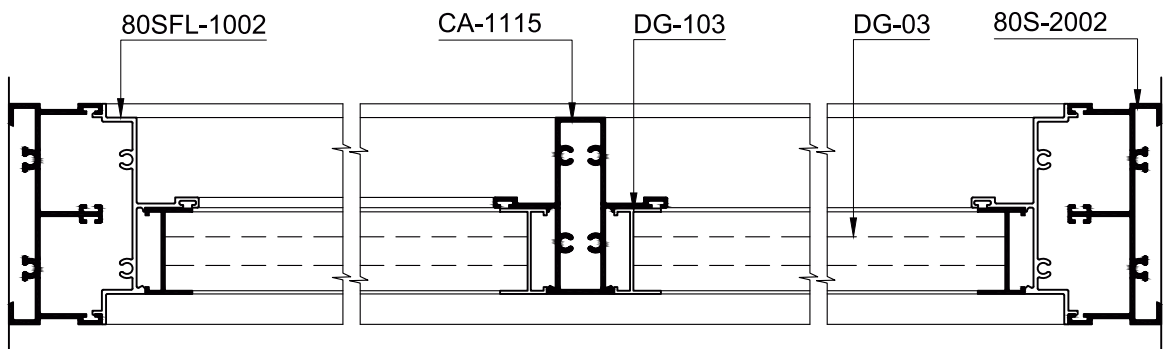
SLIDING WITH
TOP LOUVER



SECTION :- E - E



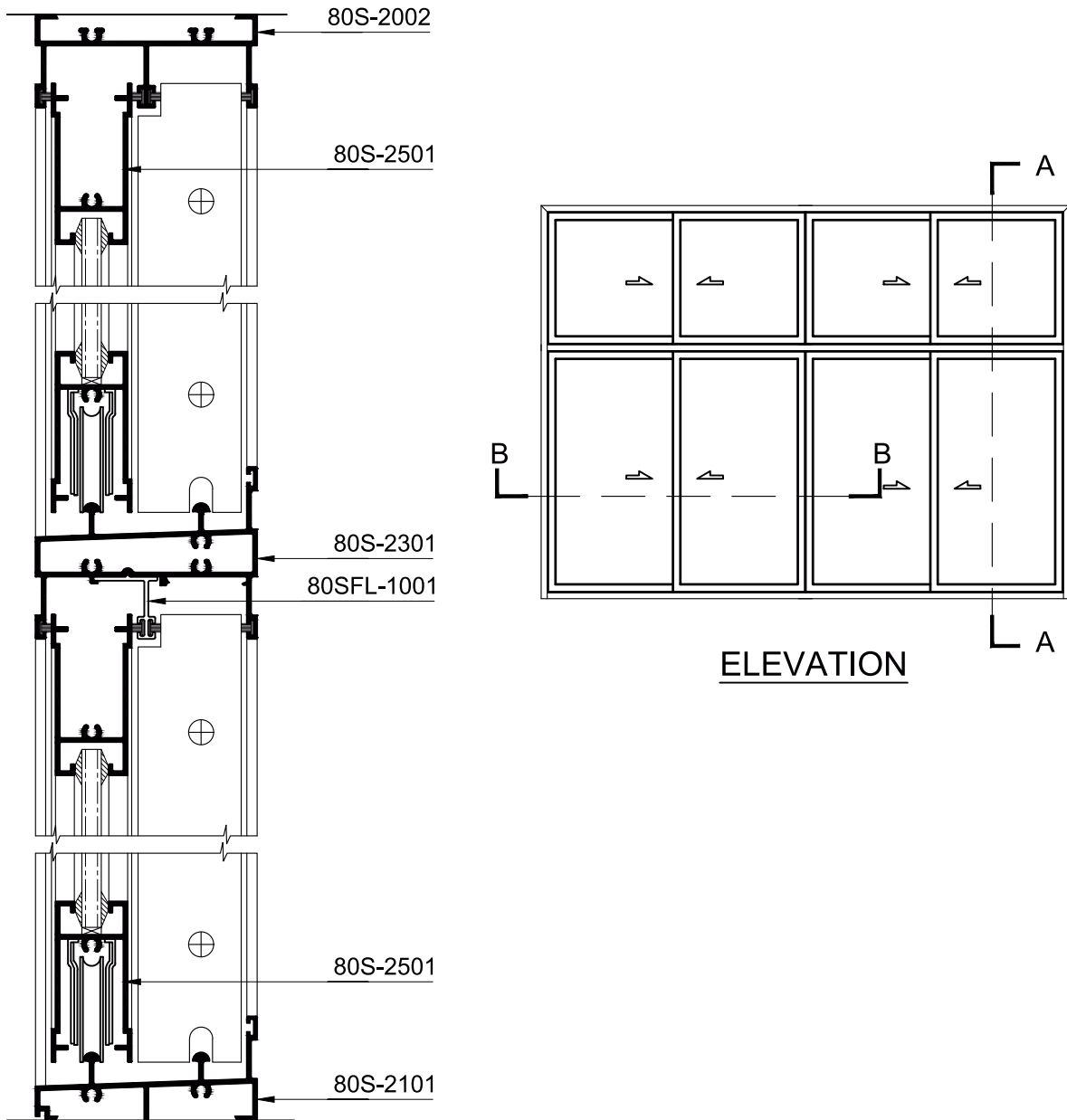
SECTION :- F - F



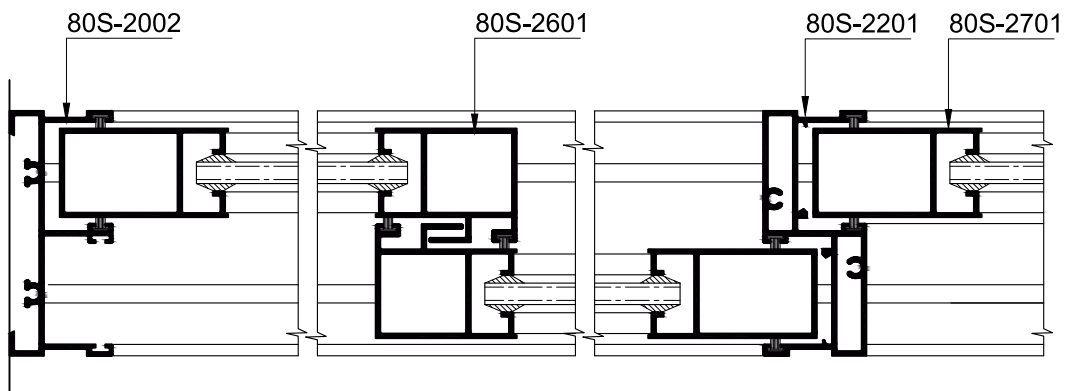
SECTION :- G - G

80mm Sliding

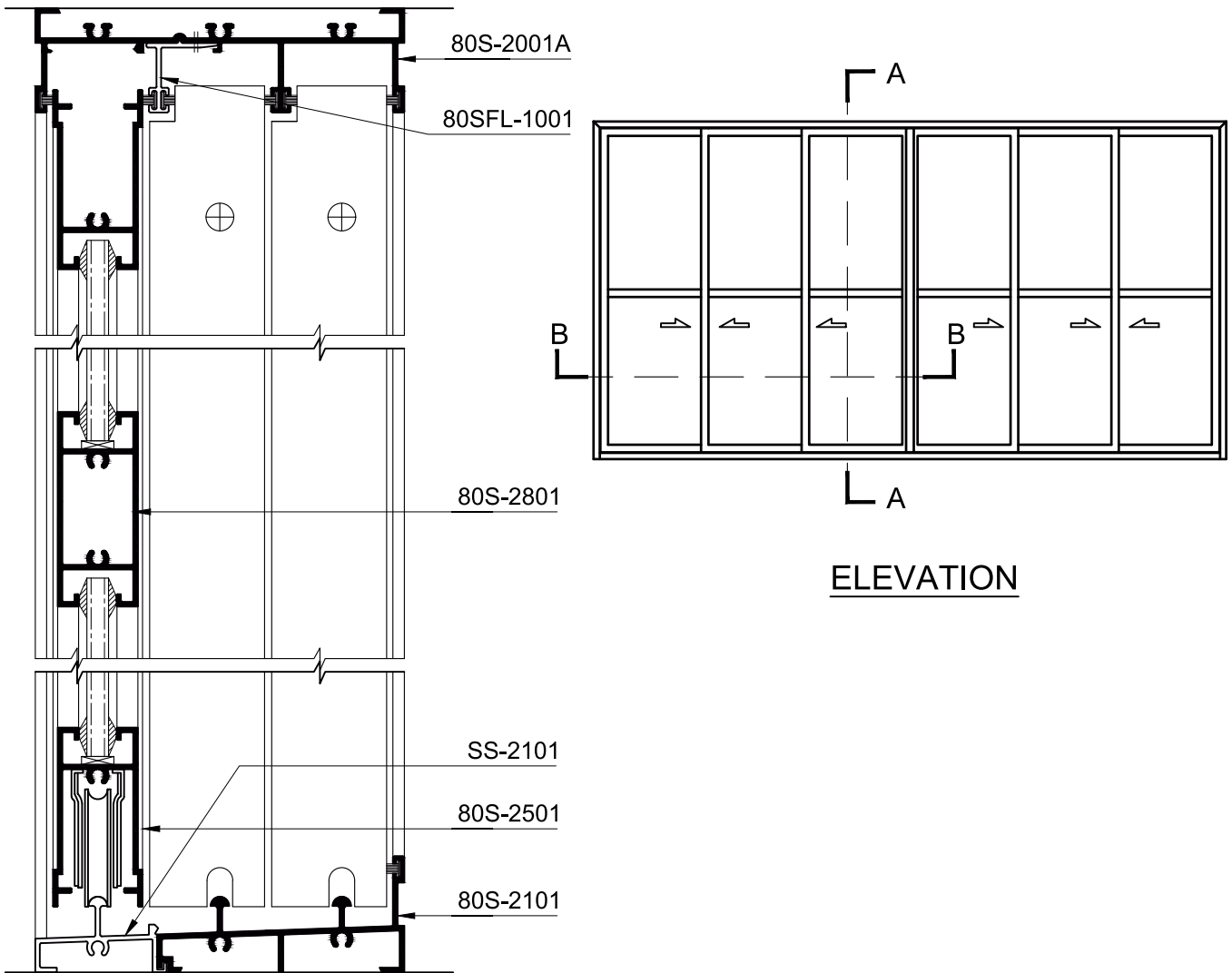
Group 02
Page 09



SECTION :- A - A



SECTION :- B - B



SECTION :- A - A

