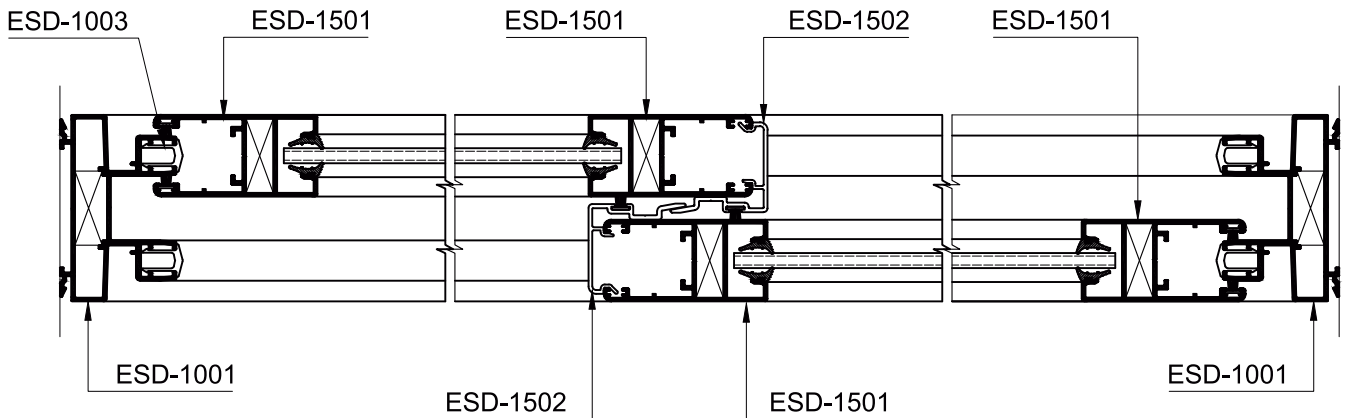


ELEVATION

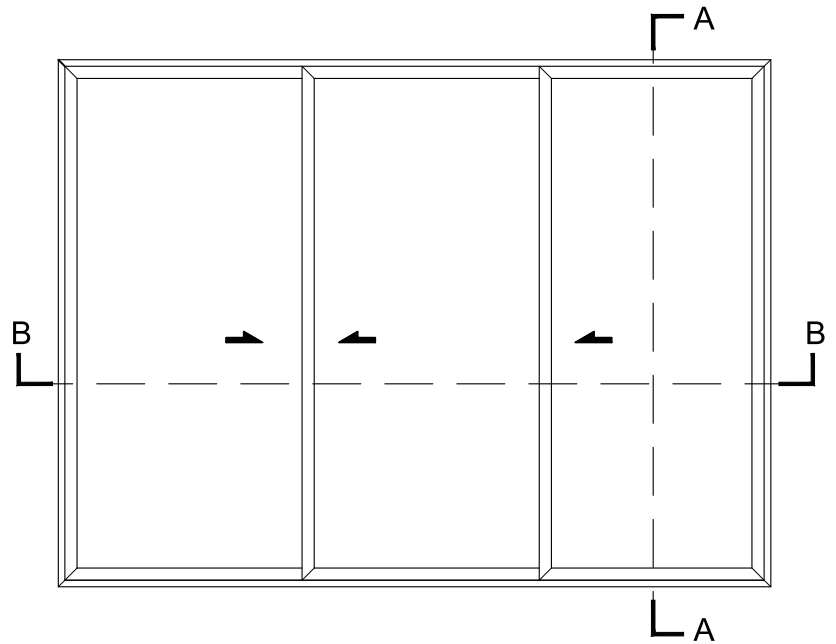
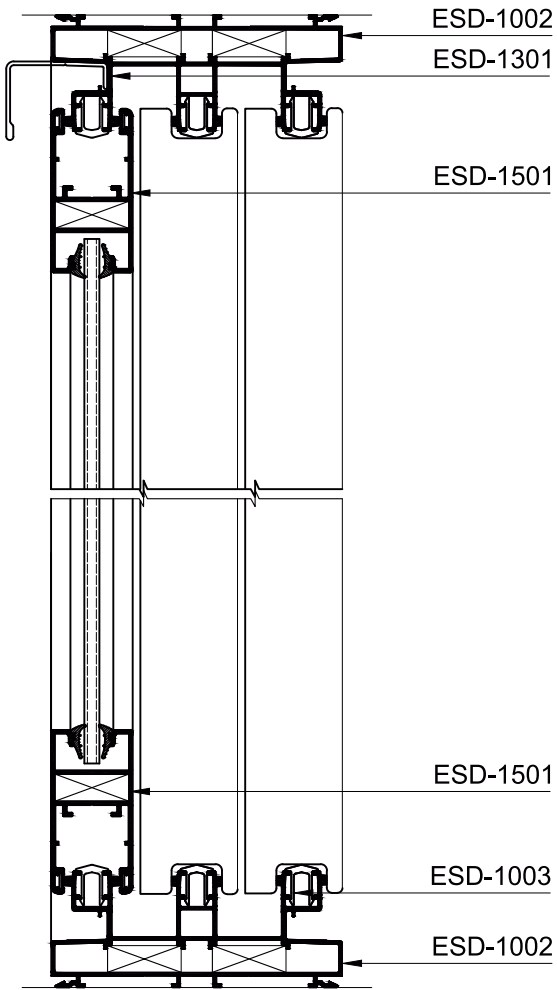
SECTION :- A - A



SECTION :- B - B

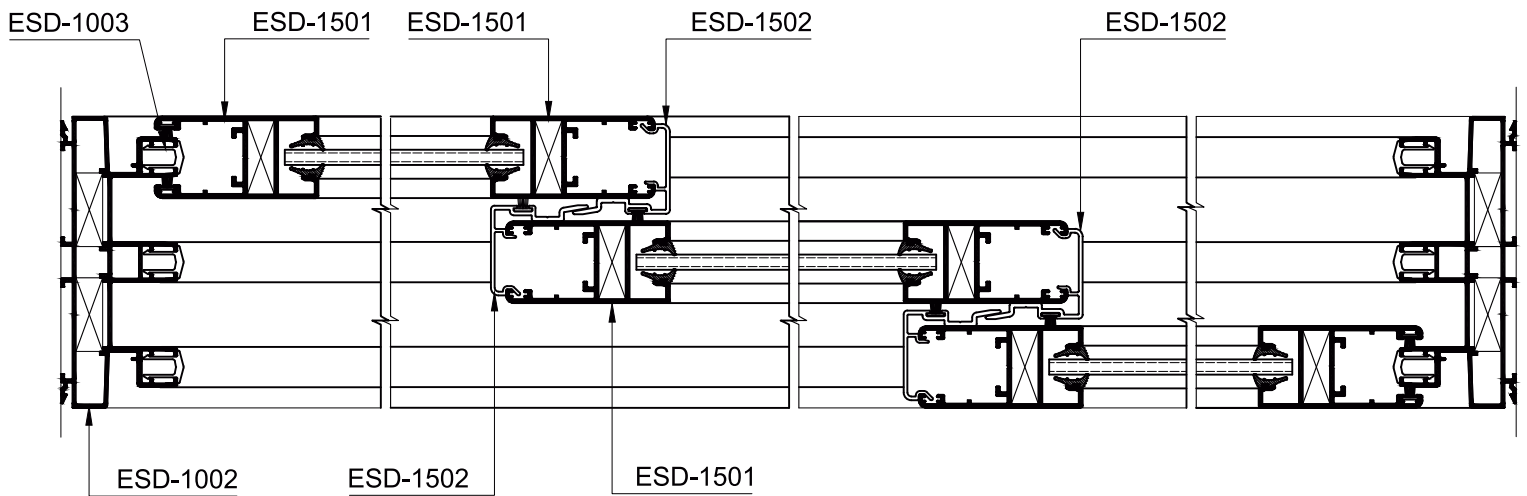
PERFORMANCE TESTS WERE CONDUCTED IN A UKAS ACCREDITED LAB

'C' Groove Sliding



ELEVATION

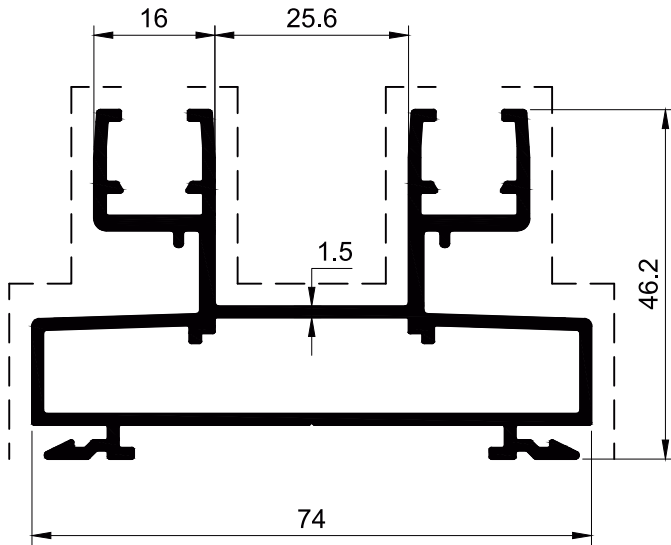
SECTION :- A - A



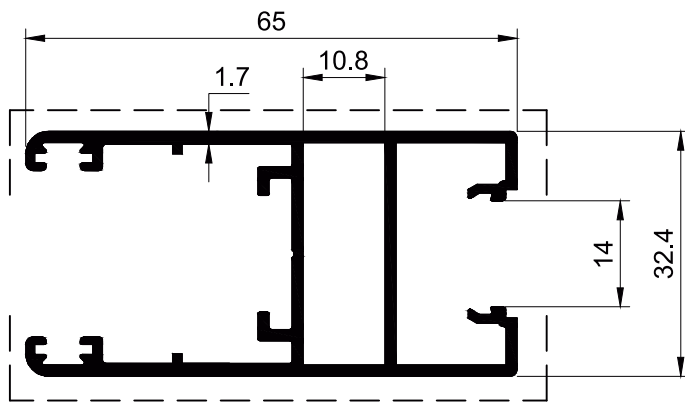
SECTION :- B - B

'C' Groove Sliding

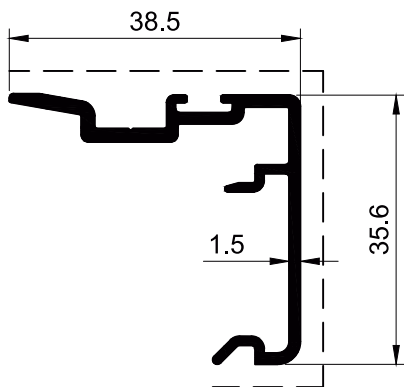
Group 04
Page 03



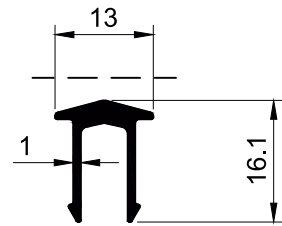
SECTION NO. - ESD-1001
EST. WEIGHT - 1.445 KG./M.



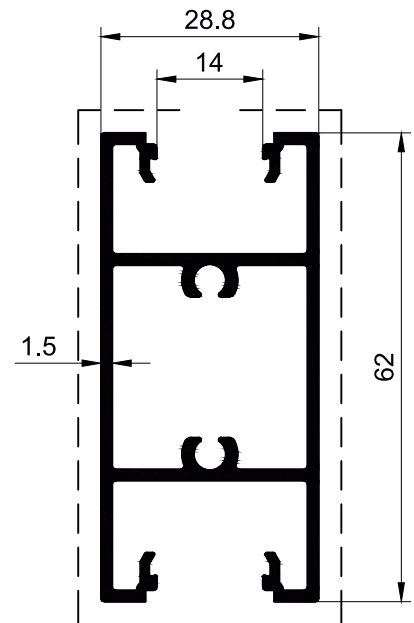
SECTION NO. - ESD-1501
EST. WEIGHT - 1.024 KG./M.



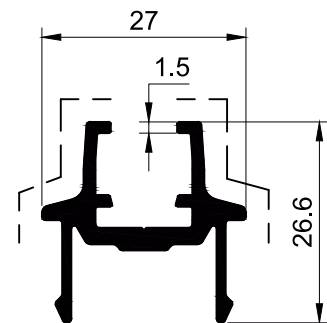
SECTION NO. - ESD-1502
EST. WEIGHT - 0.429 KG./M.



SECTION NO. - ESD-1003
EST. WEIGHT - 0.148 KG./M.



SECTION NO. - ESD-1801
EST. WEIGHT - 0.956 KG./M.

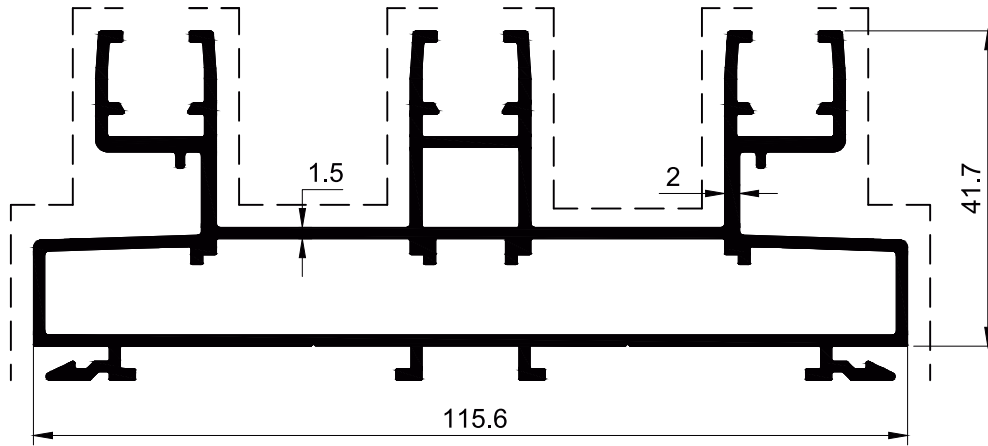


SECTION NO. - ESD-1901
EST. WEIGHT - 0.438 KG./M.

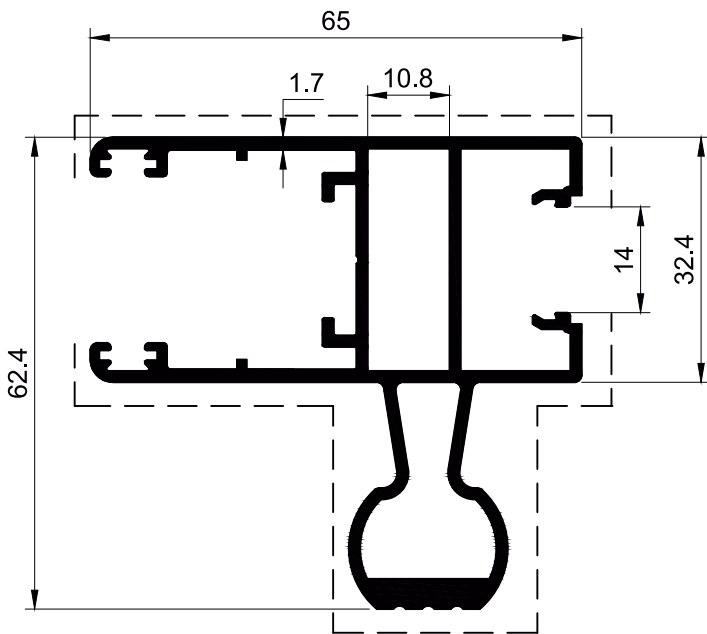
----- : Significant Surface
..... : Insignificant Surface

'C' Groove Sliding

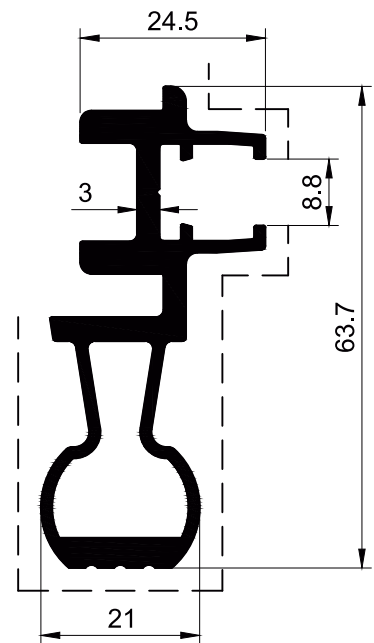
Group 04
Page 04



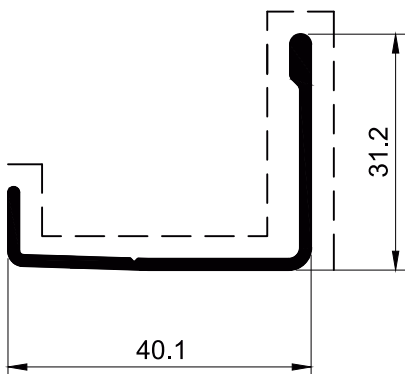
SECTION NO. - ESD-1002
EST. WEIGHT - 2.184 KG./M.



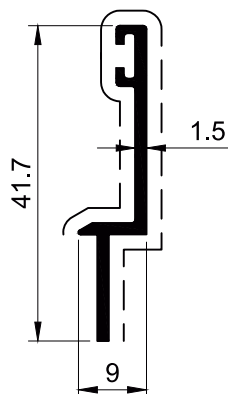
SECTION NO. - ESD-1503
EST. WEIGHT - 1.443 KG./M.



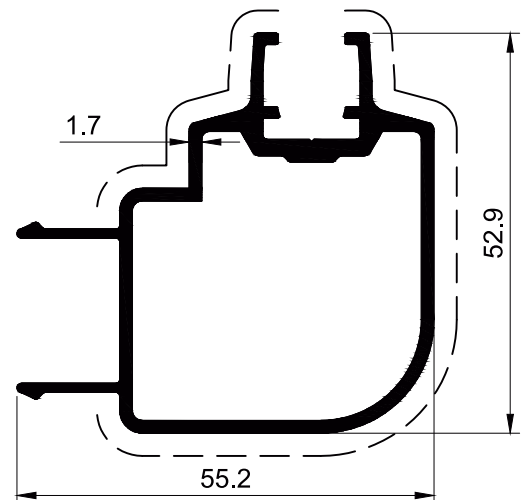
SECTION NO. - ESD-1902
EST. WEIGHT - 1.194 KG./M.



SECTION NO. - ESD-1301
EST. WEIGHT - 0.332 KG./M.



SECTION NO. - ESD-1302
EST. WEIGHT - 0.218 KG./M.

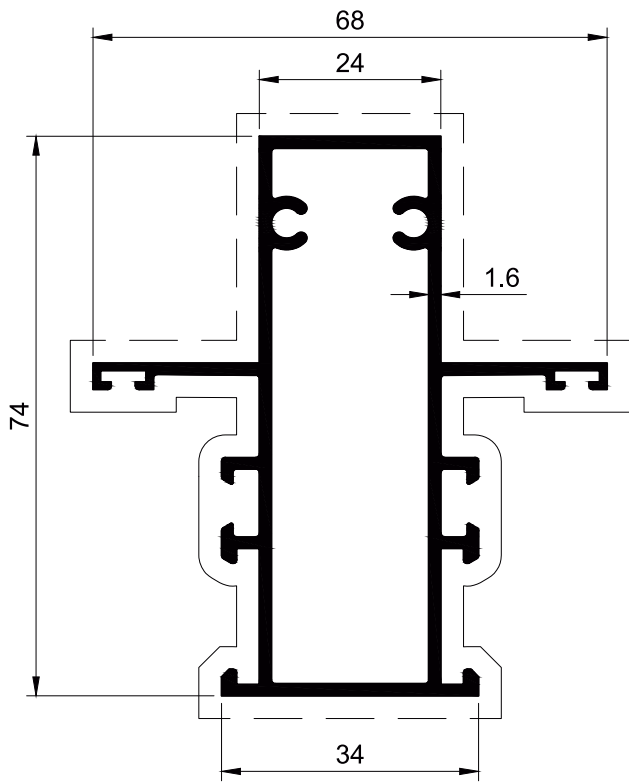


SECTION NO. - ESD-1903
EST. WEIGHT - 1.004 KG./M.

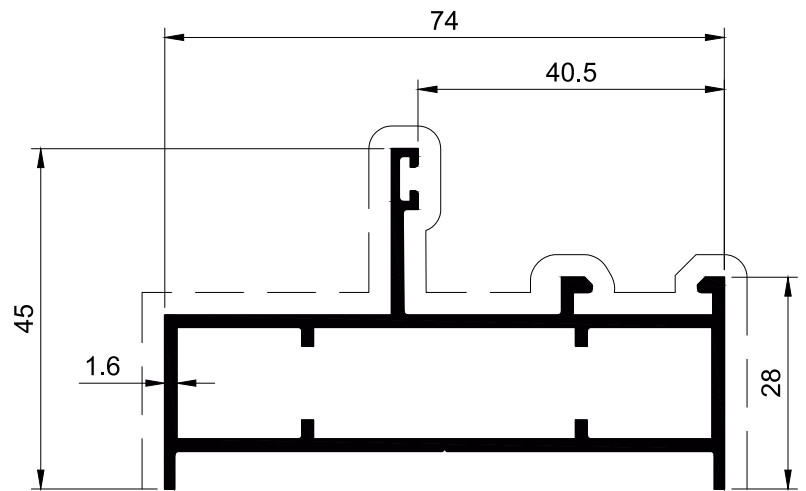
----- : Significant Surface
..... : Insignificant Surface

'C' Groove Sliding

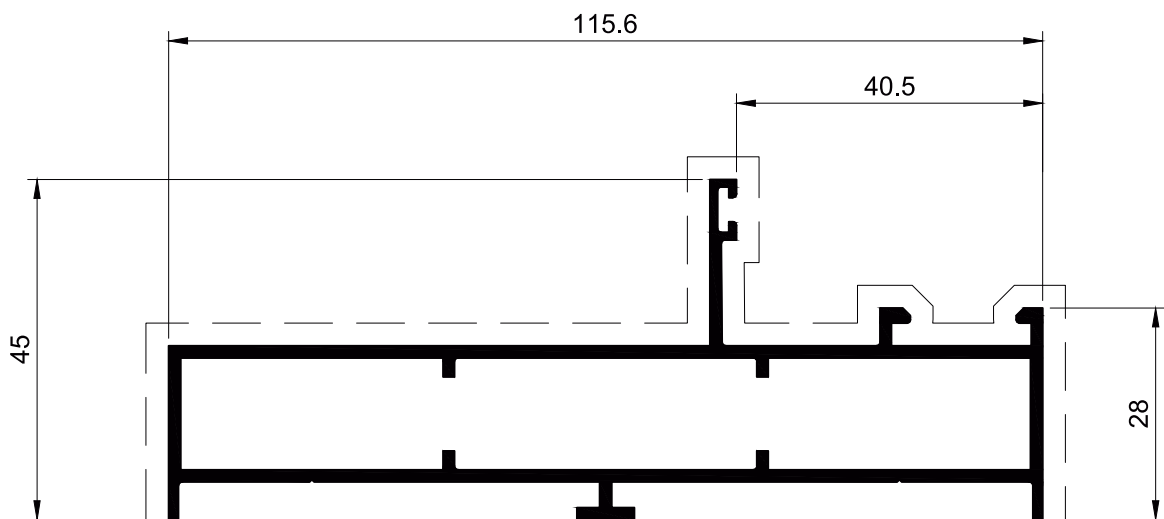
Group 04
Page 05



SECTION NO. - ECA-28
EST. WEIGHT - 1.290 KG./M.



SECTION NO. - ECA-23
EST. WEIGHT - 1.007 KG./M.



SECTION NO. - ECA-26
EST. WEIGHT - 1.414 KG./M.

----- : Significant Surface
..... : Insignificant Surface