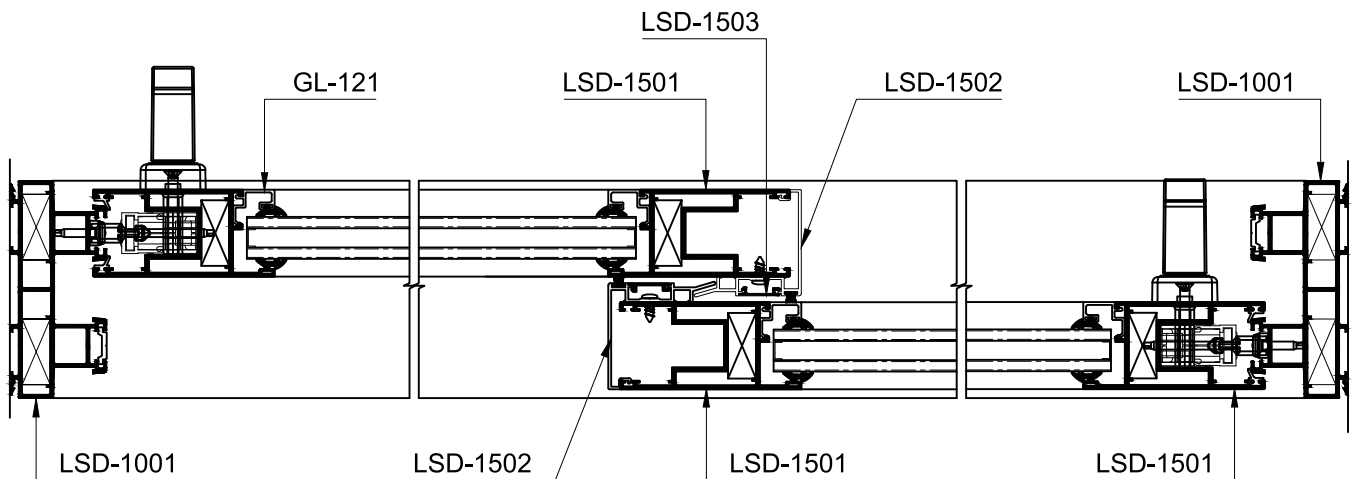
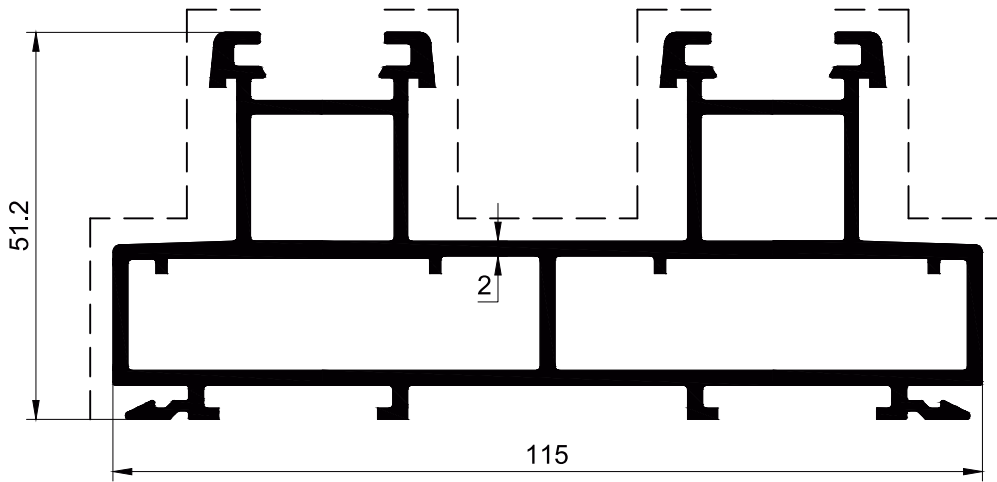


ELEVATION

SECTION :- A - A

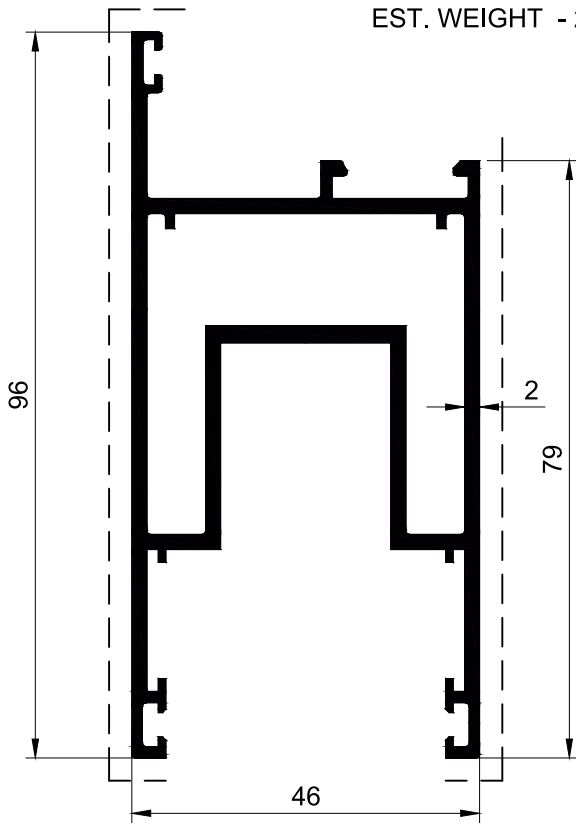


SECTION :- B - B



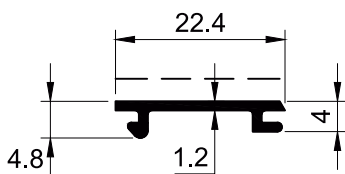
SECTION NO - LSD-1001

EST. WEIGHT - 2.701 KG./M



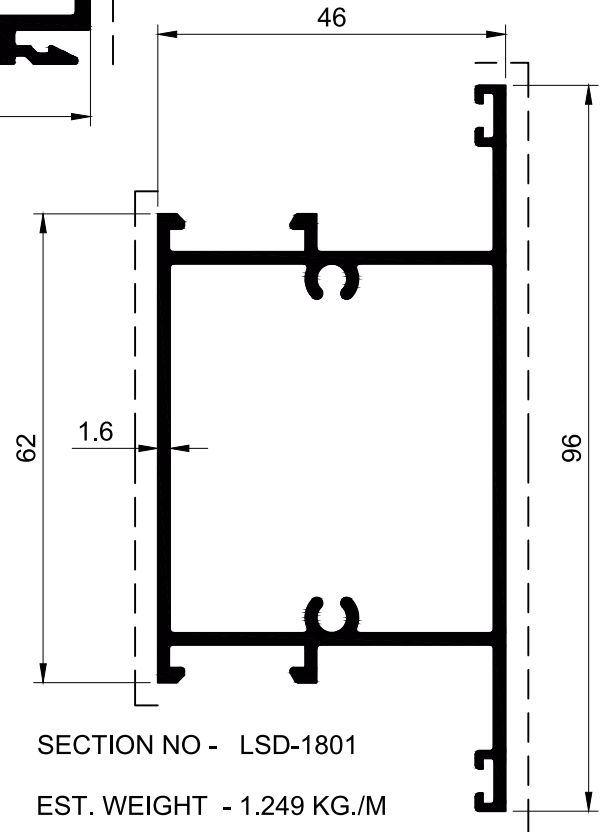
SECTION NO - LSD-1501

EST. WEIGHT - 1.825 KG./M



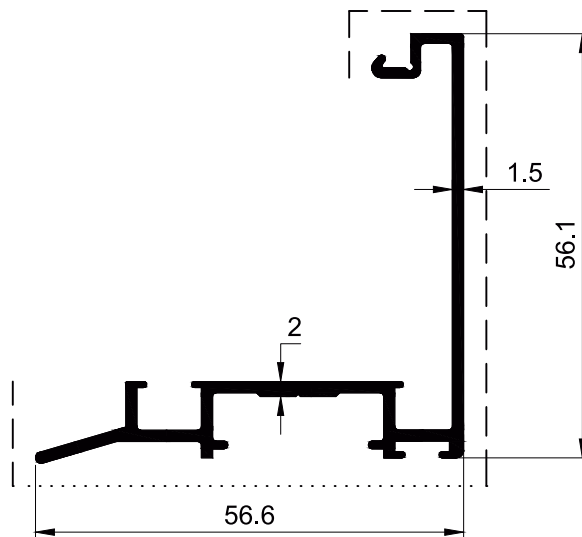
SECTION NO - LSD-1503

EST. WEIGHT - 0.106 KG./M



SECTION NO - LSD-1801

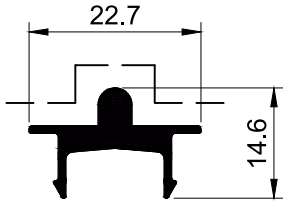
EST. WEIGHT - 1.249 KG./M



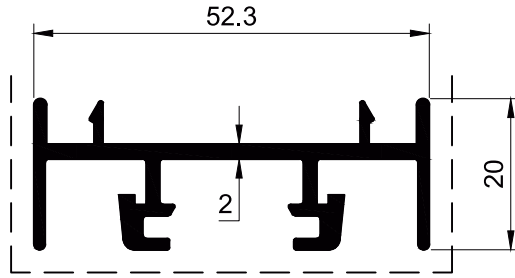
SECTION NO - LSD-1502

EST. WEIGHT - 0.644 KG./M

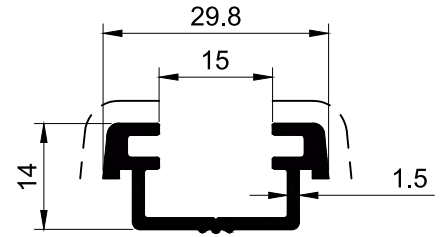
----- : Significant Surface
..... : Insignificant Surface



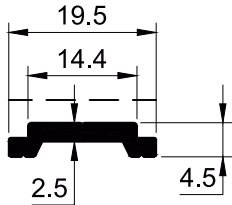
SECTION NO - LSD-1003
EST. WEIGHT - 0.245 KG./M



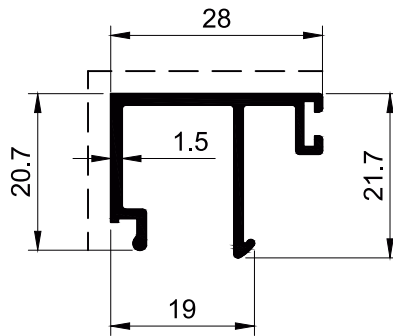
SECTION NO - LSD-1901
EST. WEIGHT - 0.691 KG./M



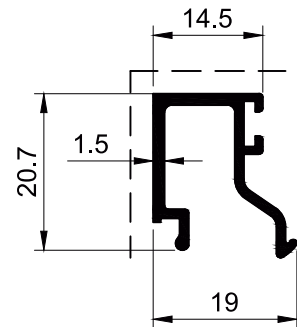
SECTION NO - LSD-1504
EST. WEIGHT - 0.314 KG./M



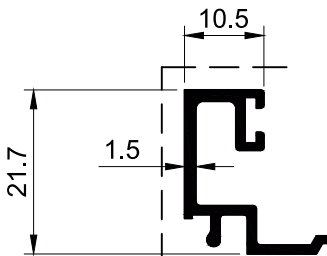
SECTION NO - ECA-08
EST. WEIGHT - 0.146 KG./M



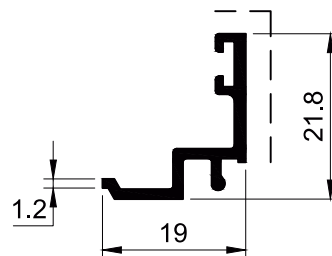
SECTION NO. - GL-116
EST. WEIGHT - 0.299 KG./M.
GLASS GAP - 12.5 MM



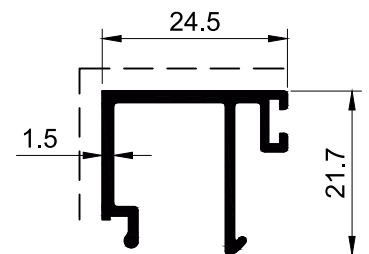
SECTION NO. - GL-118
EST. WEIGHT - 0.236 KG./M.
GLASS GAP - 26 MM



SECTION NO. - GL-121
EST. WEIGHT - 0.228 KG./M.
GLASS GAP - 30 MM

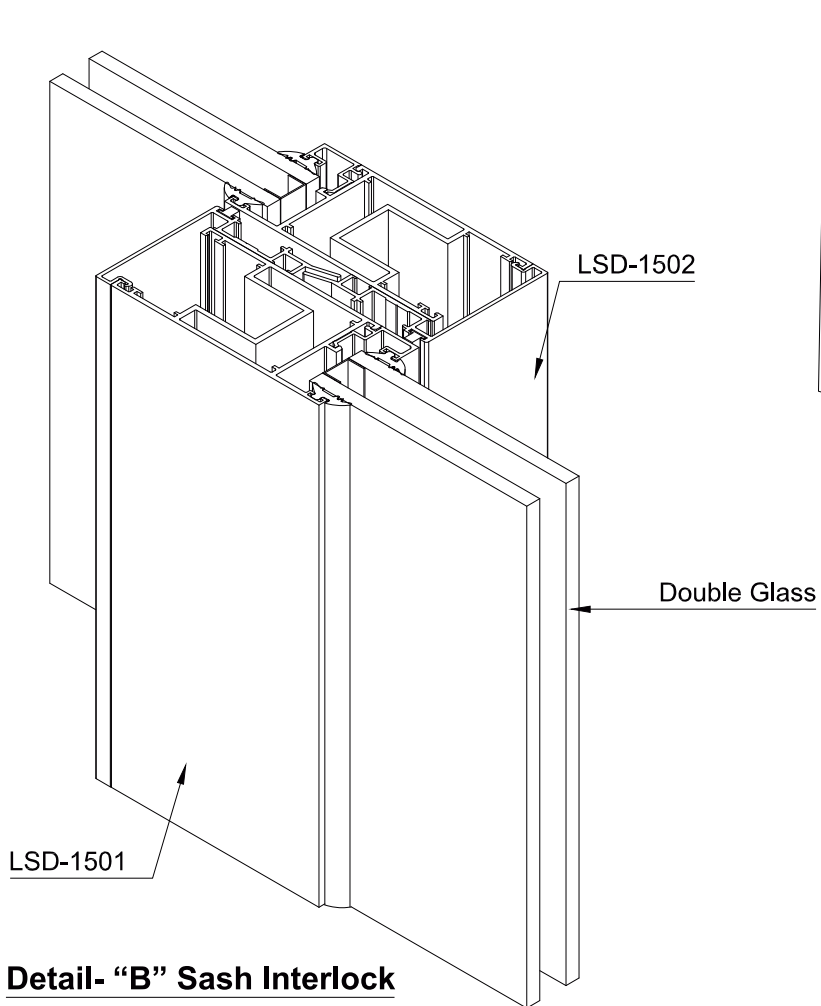


SECTION NO - GL-123
EST. WEIGHT - 0.187 KG./M
GLASS GAP - 38 MM

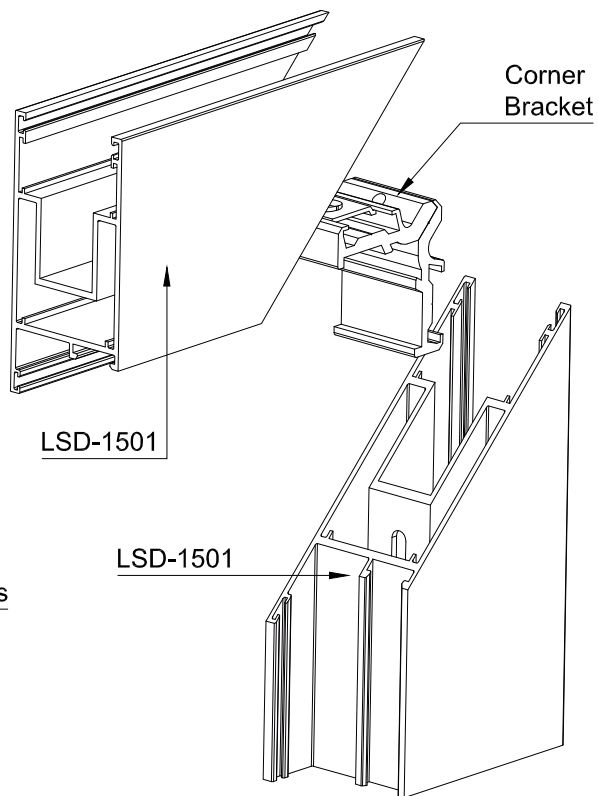


SECTION NO - GL-124
EST. WEIGHT - 0.285 KG./M
GLASS GAP - 17.5 MM

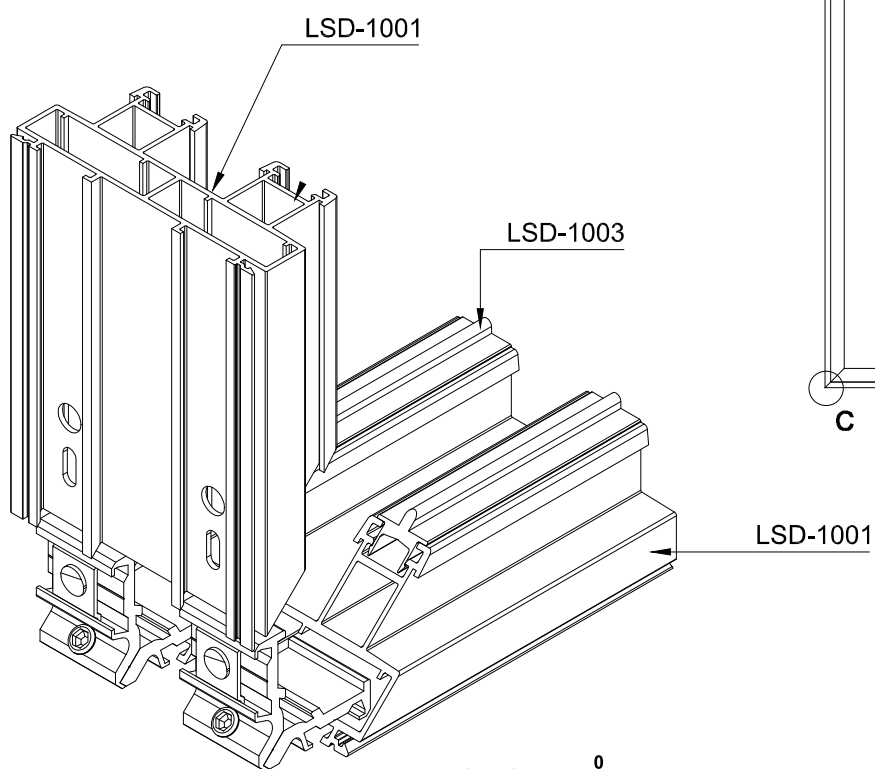
----- : Significant Surface
..... : Insignificant Surface



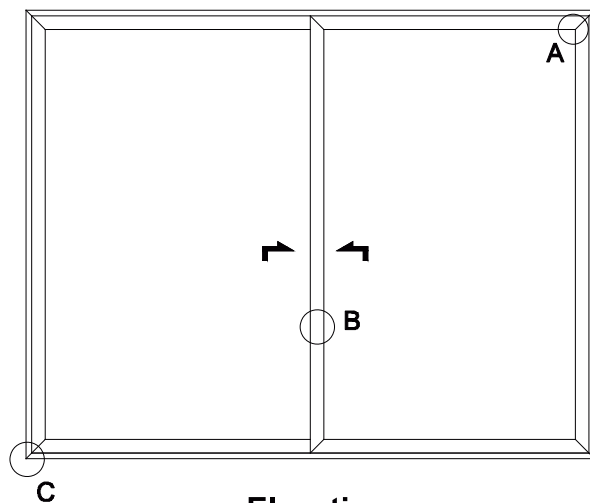
Detail- "B" Sash Interlock



Detail- "A" Sash 45° Joint



Detail- "C" Sill 45° Joint



Elevation